

Article datasheet

## IEC Power Inlet for PCB mounting Black,with protection cover

Article-No.: 039.61.817

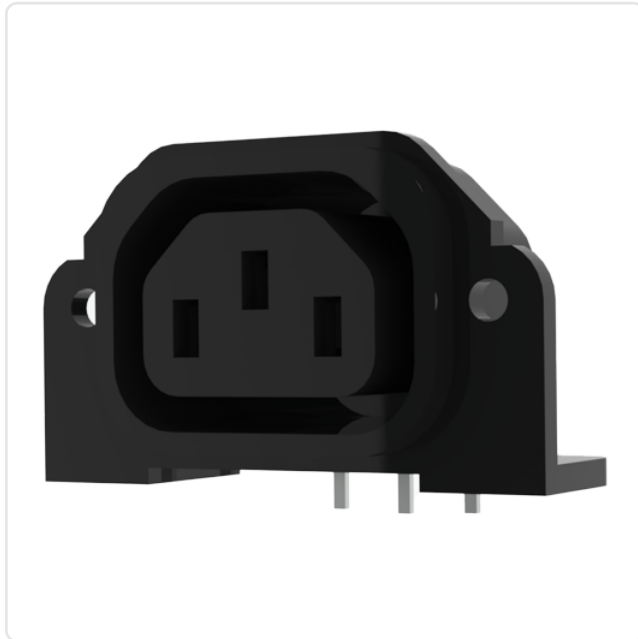


Image may be similar

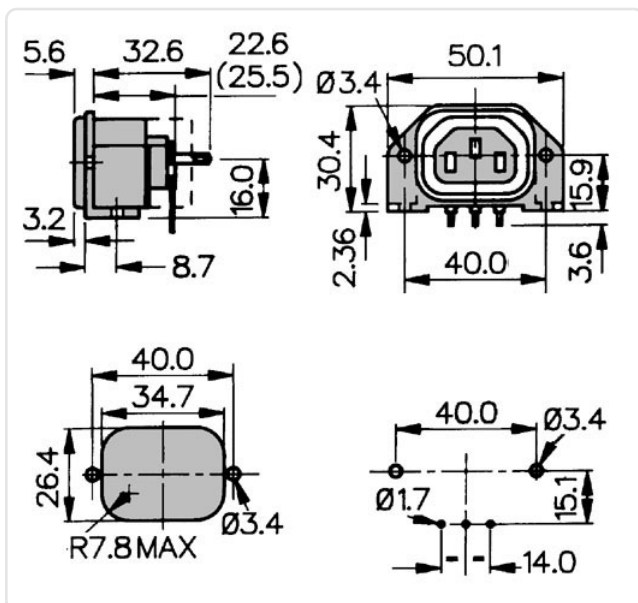
Amperage [A]: 10  
Color: Black  
Model: Socket, Screw/PCB Mounting  
Weight: 14.8g  
Conformities:



You can find all information on the web on our article detail page

Would you like individual advice?

We look forward to your email to [products@ettinger.de](mailto:products@ettinger.de).



Subject to change and errors.