

Article datasheet

Insulation sleeve $\varnothing 3.1/7.9 \times 3.5$ mm Polyamid 6 natural UL94-V2

Article-No.: 003.18.034

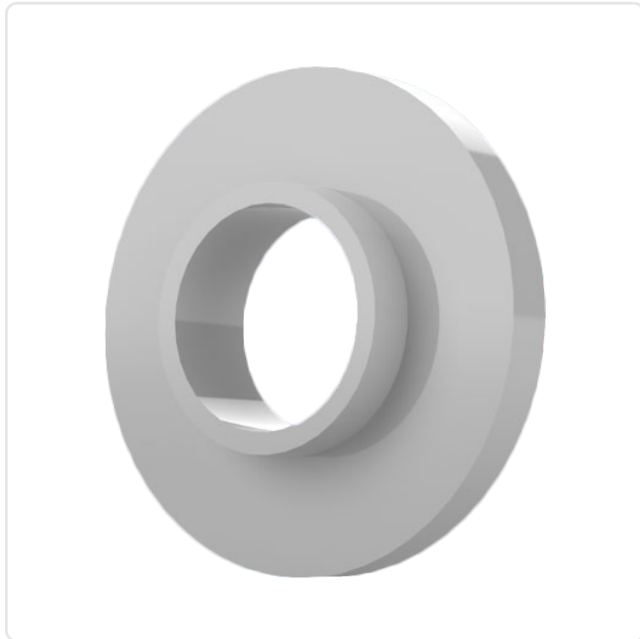
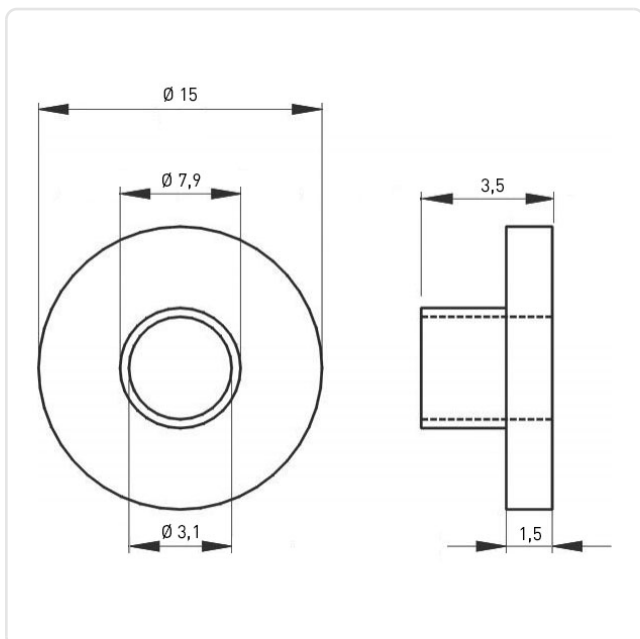


Image may be similar

Color:	Natural
Flammability Class:	UL94-V2
Height [mm]:	3.5
Inner Diameter [mm]:	3.1
Lug Diameter [mm]:	7.9
Material:	Polyamide 6.0
Material Group:	Plastic
Model:	With Low Lug
Outer Diameter [mm]:	15
Weight:	0.37g
Conformities:	



You can find all
information on the web on
our article detail page



Would you like individual advice?

We look forward to your email to products@ettinger.de.

Subject to change and errors.