

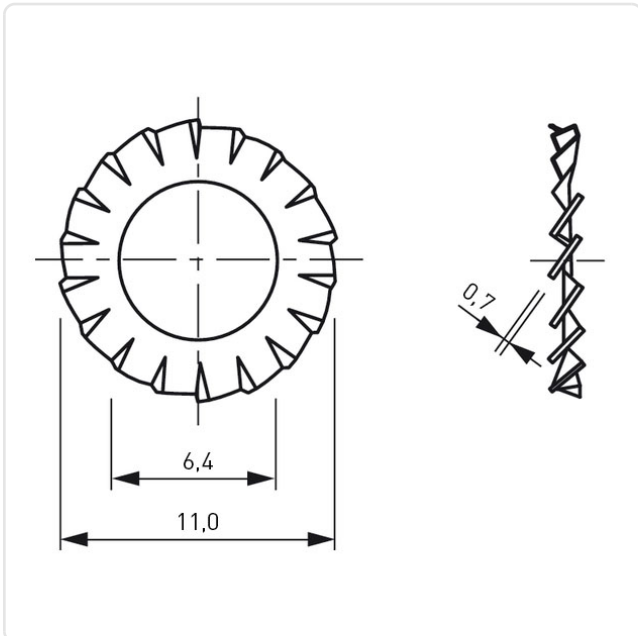
Article datasheet

Serrated Washer DIN6798 A Ø6.4/11.0 x 0.7 A4 Plain Stainless Steel

Article-No.: 003.54.069



Image may be similar



DIN/ISO: DIN6798A
Finish: Plain
For Thread Size: M6
Inner Diameter [mm]: 6.4
Material: Stainless Steel A4 / AISI 316
Material Group: Stainless Steel
Outer Diameter [mm]: 11
Weight: 0.28g
Conformities:



You can find all information on the web on our article detail page

Would you like individual advice?

We look forward to your email to products@ettinger.de.

Subject to change and errors.