

Article datasheet

Cable Tie 2,5x99mm PA 6 natural Bundle ø22mm

Article-No.: 072.92.103

Manufacturer: Panduit

Manufacturer article-no.: PLT1M-C

PANDUIT™



Image may be similar

Bundle Diameter [mm]: 21,0-50,0

Color: Natural

Flammability Class: UL94-HB

Length [mm]: 99

Material: PA 6

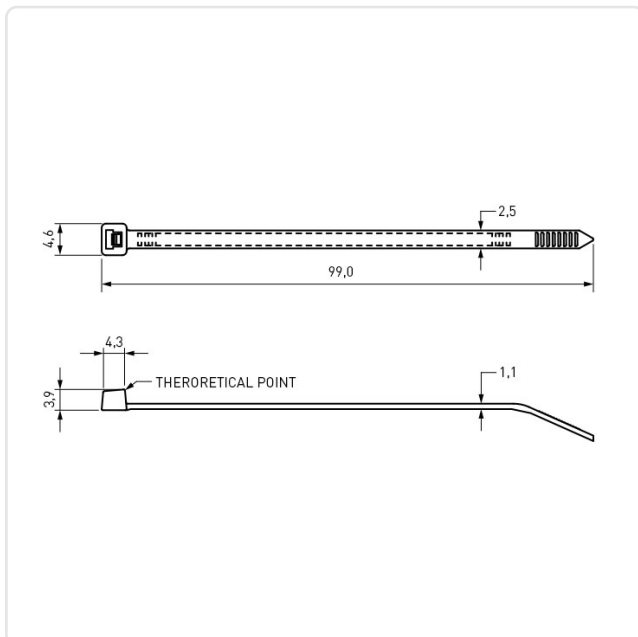
Width [mm]: 2.5

Weight: 0.34g

Conformities:



You can find all information on the web on our article detail page



Would you like individual advice?

We look forward to your email to products@ettinger.de.

Subject to change and errors.