

Article datasheet

## Pan Head Screw ISO7045 M5x6 A2 STEEL C/R Self-Sealing SEELSKREW®

Article-No.: 001.57.529

Manufacturer: APM Hexseal

Manufacturer article-no.: RM5X06MM 2701

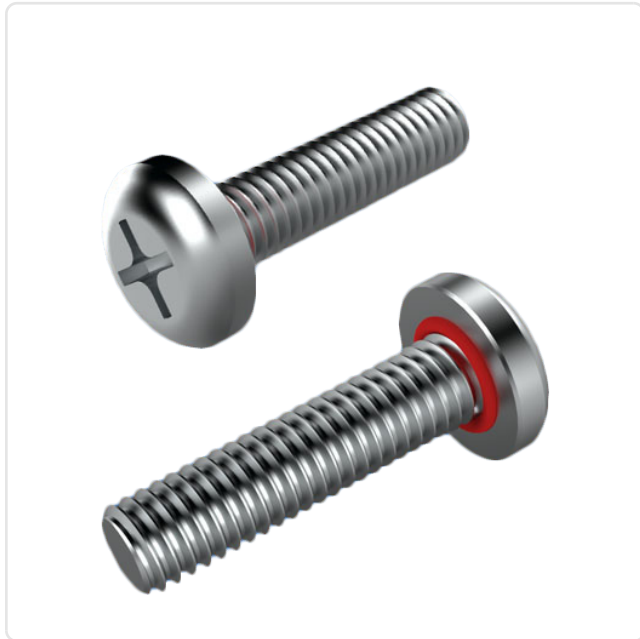
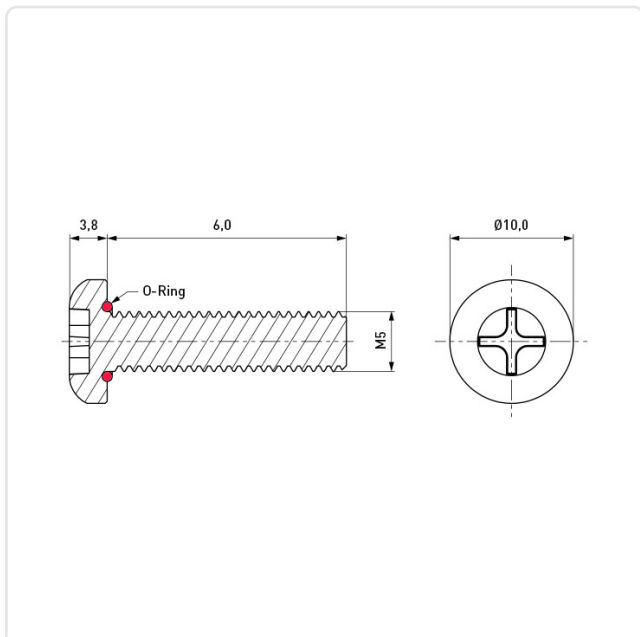


Image may be similar

Actuator Size:	Phillips PH2
DIN/ISO:	DIN7985 / ISO7045
Drive Type:	Cross Recess / Phillips-H
Finish:	Passivated, Clear
Head Diameter [mm]:	10
Head Height [mm]:	3.8
Head Shape:	Flat Head
Length [mm]:	6
Material:	Stainless Steel A2 / AISI 304
Material Group:	Stainless Steel
O-Ring Material:	Silicone
Temperature Range [°C]:	-106°C to +260°C
Thread Size:	M5
Weight:	19.15g
Conformities:	



You can find all information on the web on our article detail page

Would you like individual advice?

We look forward to your email to [products@ettinger.de](mailto:products@ettinger.de).

Subject to change and errors.