

Article datasheet

## Flat Head Screw ISO7045 M2.5x16 Nickel-Plated ST 4.8 C/R Pan Head

Article-No.: 001.17.263

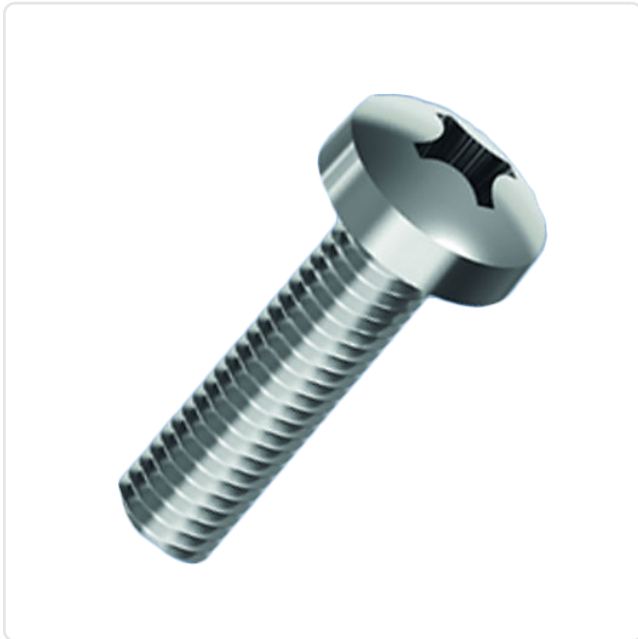
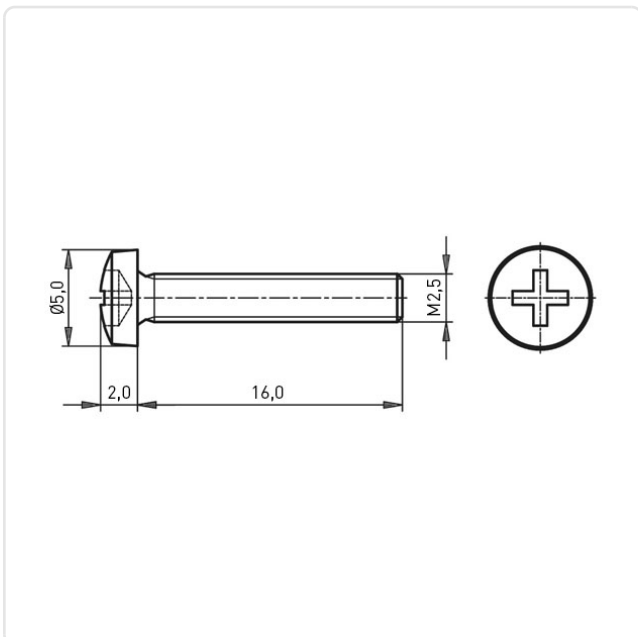


Image may be similar

Actuator Size:	Phillips PH1
DIN/ISO:	DIN7985 / ISO7045
Drive Type:	Cross Recess / Phillips-H
Finish:	Nickel-Plated, 3 µm, E1E
Head Diameter [mm]:	5
Head Height [mm]:	2
Head Shape:	Pan Head
Length [mm]:	16
Material:	Steel 4.8
Material Group:	Steel
Thread Size:	M2.5
Weight:	0.68g
Conformities:	



You can find all  
information on the web on  
our article detail page

Would you like individual advice?

We look forward to your email to [products@ettinger.de](mailto:products@ettinger.de).

Subject to change and errors.