

Article datasheet

Hole Plugs with Truss Head / with Base Prong

Article-No.: 014.14.140

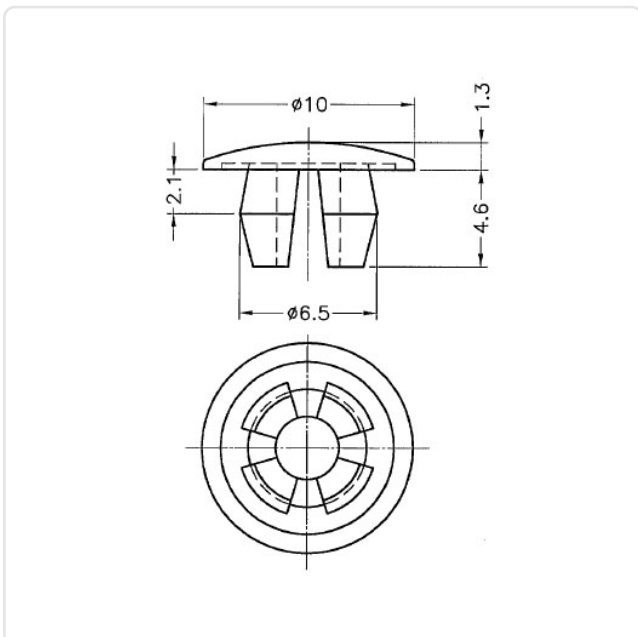


Image may be similar

Color: Black
Inner Diameter [mm]: 5.5
Material: PA 6.6
Model: Hole Plug
Outer Diameter [mm]: 10.3
Weight: 0.14g
Conformities:



You can find all
information on the web on
our article detail page



Would you like individual advice?

We look forward to your email to products@ettinger.de.

Subject to change and errors.