

Article datasheet

PCB Support 9.5 | \varnothing 4.0 | \varnothing 4.8 Polyamide 6.6 natural

Article-No.: 006.06.326

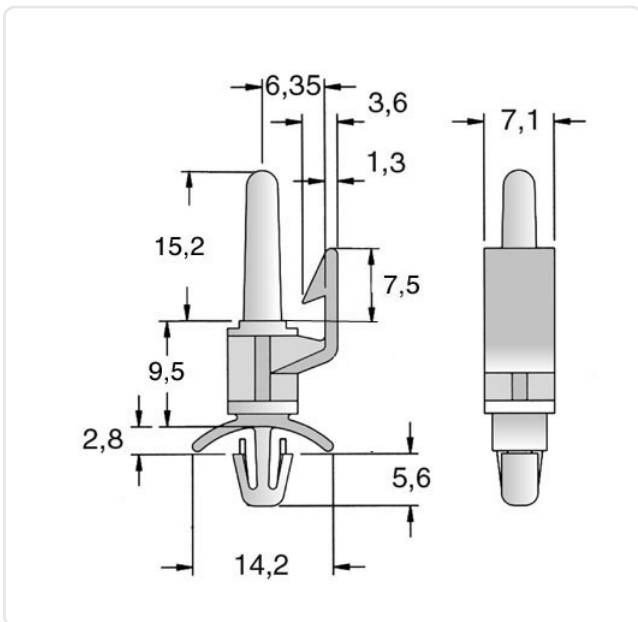


Image may be similar

| | |
|--------------------------------|---|
| Color: | Natural |
| Flammability Class: | UL94-V2 |
| Length [mm]: | 9.5 |
| Material: | PA 6.6 UL94 V-2 E 70062 / RMS01 |
| PCB Hole \varnothing [mm]: | 4 |
| PCB Thickness [mm]: | 1,6 |
| Panel Hole \varnothing [mm]: | 4.8 |
| Panel Thickness [mm]: | 1,6 |
| Weight: | 0.78g |
| Conformities: | <div style="display: flex; gap: 10px;"> <div style="border: 1px solid black; padding: 2px; text-align: center;"> <small>Reach</small> COMPLIANT ✓ </div> <div style="border: 1px solid black; padding: 2px; text-align: center;"> <small>RoHS</small> COMPLIANT ✓ </div> <div style="border: 1px solid black; padding: 2px; text-align: center;"> <small>SVHC</small> COMPLIANT ✓ </div> </div> |



You can find all information on the web on our article detail page



Would you like individual advice?
We look forward to your email to products@ettinger.de.

Subject to change and errors.