

Article datasheet

Standoff Plain Stainless Steel M/M AF5.5x3 T1=M3x6 T2=M3x8 w/ UC

Article-No.: 005.11.309

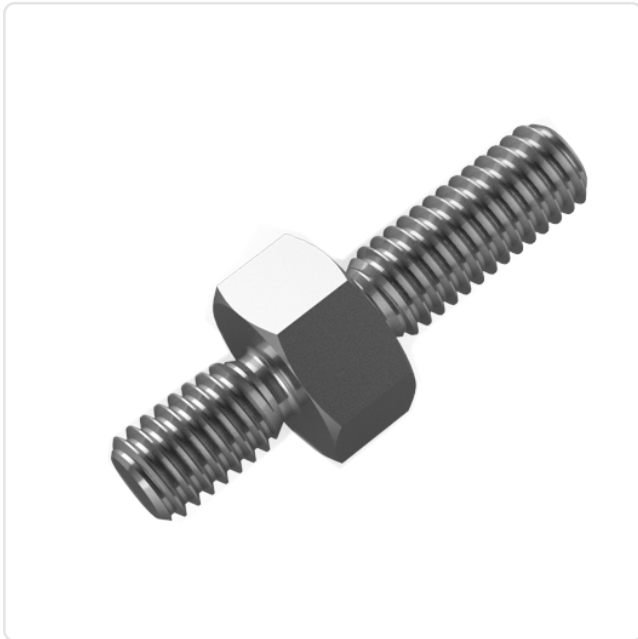
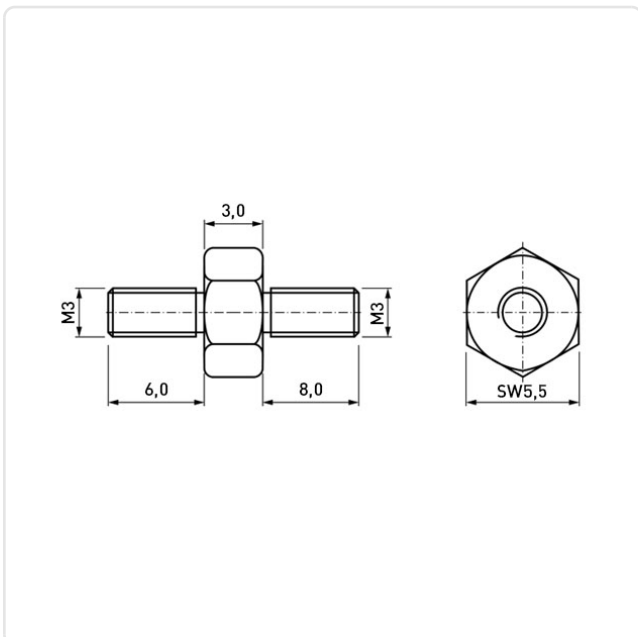


Image may be similar

AF / OD [mm]:	5.5
Finish:	Plain
Length [mm]:	3
Material:	Stainless Steel AISI 303 / X8CrNiS18-9
Material Group:	Stainless Steel
Profile:	Hexagonal
Thread 1 Length [mm]:	6
Thread 1 Size:	M3
Thread 2 Length [mm]:	8
Thread 2 Size:	M3
Undercut:	Yes
Weight:	1.2g
Conformities:	



You can find all
information on the web on
our article detail page

Would you like individual advice?

We look forward to your email to products@ettinger.de.

Subject to change and errors.