

Article datasheet

Cable Tie Holder for 3.6mm cable ties 19x19mm Polyamide natural

Article-No.: 072.59.131

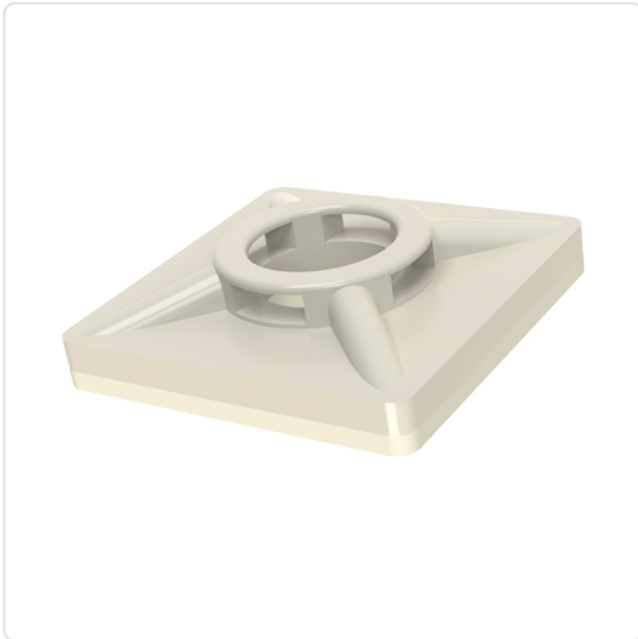
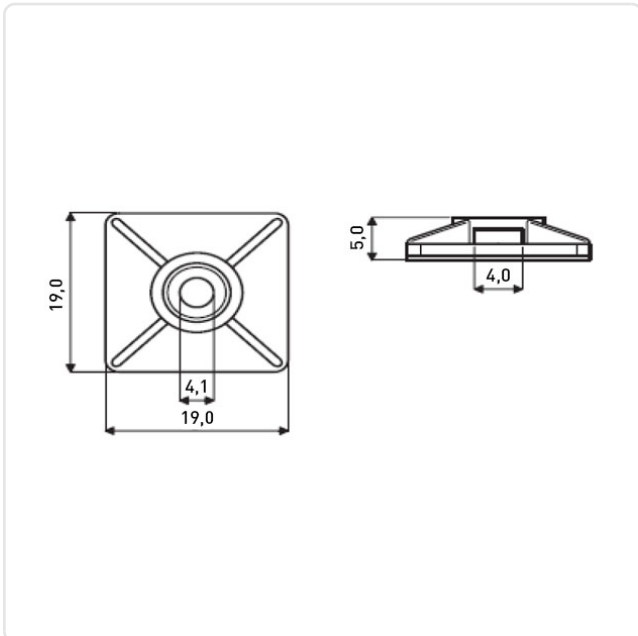


Image may be similar



Cable Tie Width max. [mm]:	3.6
Color:	Natural
Flammability Class:	UL94-V2
Height [mm]:	5
Length [mm]:	19
Material:	Polyamide 6.0 25% GF
Material Group:	Plastic
Model:	Fastening Plate, Self-Adhesive
Width [mm]:	19
Weight:	0.7g
Conformities:	



You can find all
information on the web on
our article detail page

Would you like individual advice?

We look forward to your email to products@ettinger.de.

Subject to change and errors.