

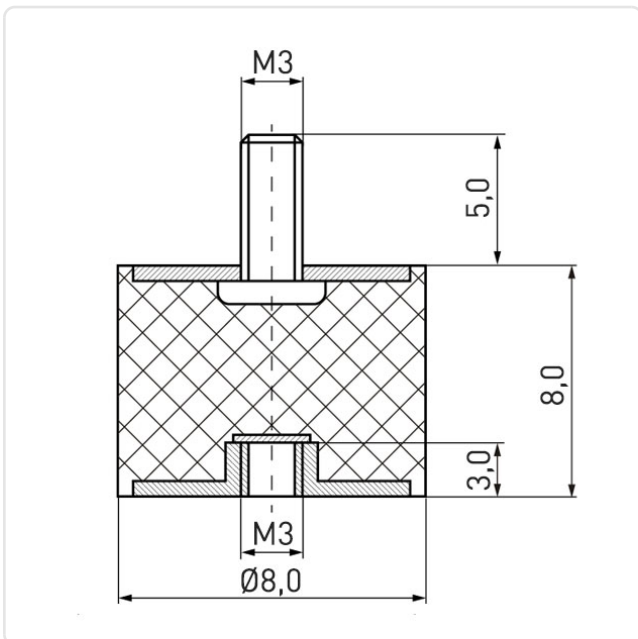
Article datasheet

Vibration Mount, cylindrical / Inside and Outside Thread

Article-No.: 071.35.335



Image may be similar



Diameter [mm]:	8
Female Thread Length [mm]:	3
Finish:	Galvanized, Blue, 5 µm, A2K
Height [mm]:	8
Male Thread Length [mm]:	5
Material:	Rubber
Material Group:	Plastic
Shore-Hardness:	Grade of Hardness 40-43°
Thread Size:	M3
Weight:	1.17g
Conformities:	



You can find all information on the web on our article detail page

Would you like individual advice?

We look forward to your email to products@ettinger.de.

Subject to change and errors.