

Article datasheet

O-Ring for M20 Perbunan

Article-No.: 014.30.231

Manufacturer: LAPP

Manufacturer article-no.: 53102020

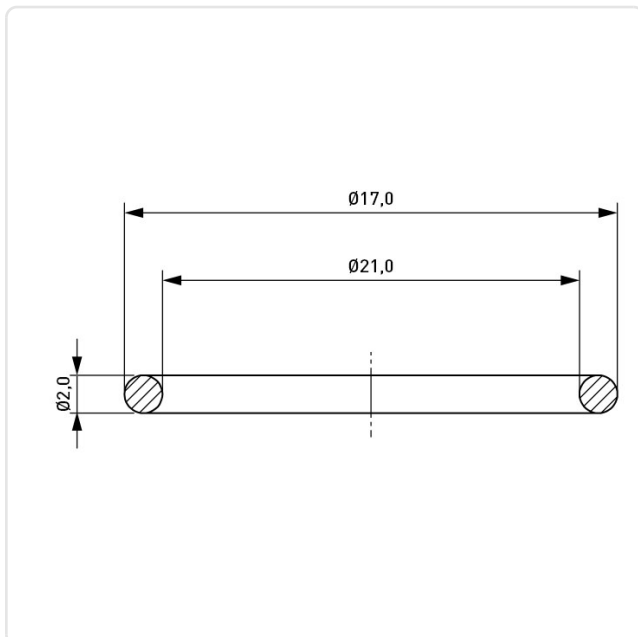


Image may be similar

Color: Black
Height [mm]: 2
Material: NBR - Perbunan
Material Group: Plastic
Model: O-Ring
Thread Size: M20
Weight: 0.26g
Conformities:



You can find all
information on the web on
our article detail page



Would you like individual advice?

We look forward to your email to products@ettinger.de.

Subject to change and errors.