

Article datasheet

Knurled Thumb Screw DIN464 M3x16 A1 Stainless Steel Vertical Knurl

Article-No.: 001.86.362

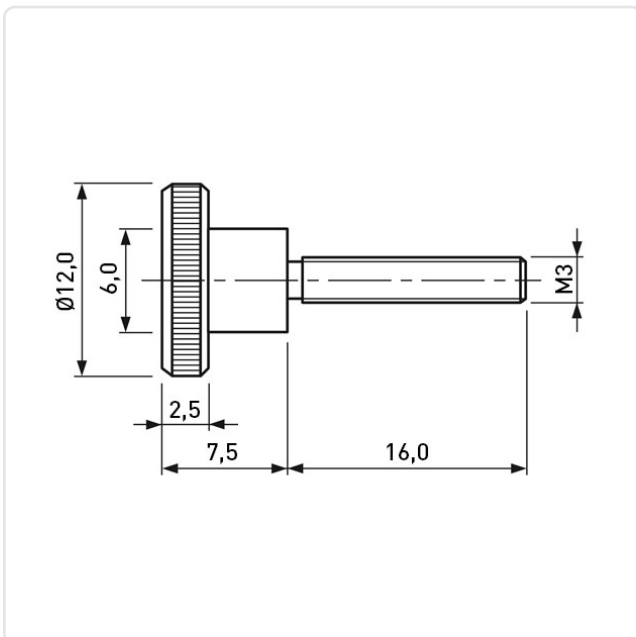


Image may be similar

| | |
|----------------------------|-------------------------------|
| Finish: | Plain |
| Head Diameter [mm]: | 12 |
| Head Height [mm]: | 2.5 |
| Head Shape: | Flat Head |
| Knurling: | Vertical Knurl |
| Length [mm]: | 16 |
| Material: | Stainless Steel A1 / AISI 303 |
| Material Group: | Stainless Steel |
| Reduced Shank Length [mm]: | 5 |
| Thread Size: | M3 |
| Weight: | 37.4g |
| Conformities: | |



You can find all information on the web on our article detail page



Would you like individual advice?

We look forward to your email to products@ettinger.de.

Subject to change and errors.