

Article datasheet

Interlocking Hose Clamp Ø12.0-13.5 Polyamide 6.6 black

Article-No.: 014.44.130

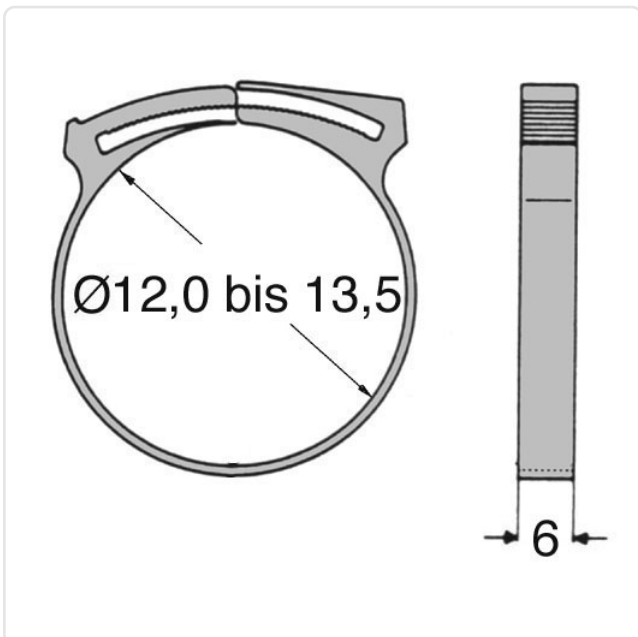


Image may be similar

| | |
|-----------------------------|-----------|
| Color: | Black |
| Flammability Class: | UL94-V2 |
| Material: | PA 6.6 |
| Panel Thickness Range [mm]: | 12,0-13,5 |
| Thickness [mm]: | 1.8 |
| Width [mm]: | 6 |
| Weight: | 1.55g |
| Conformities: | |



You can find all information on the web on our article detail page



Would you like individual advice?

We look forward to your email to products@ettinger.de.

Subject to change and errors.