

Article datasheet

Card Guide for 1/16"/1.6x120mm/M3 Polyamid 6 grey/UL94-HB

Article-No.: 075.19.312

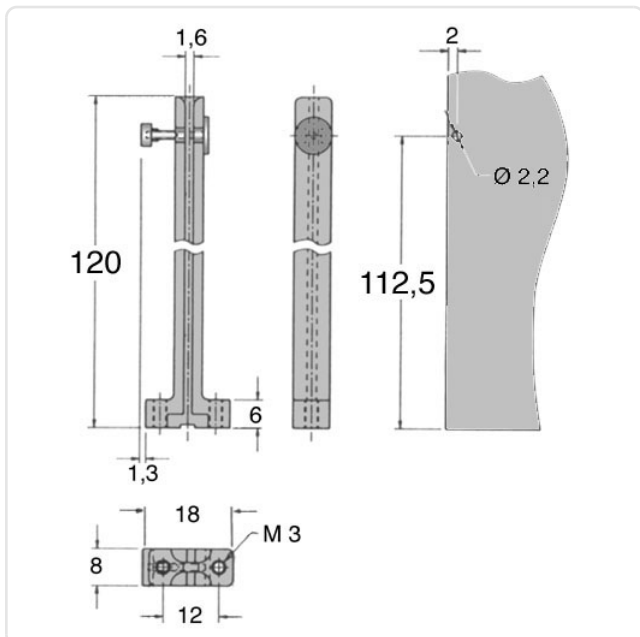


Image may be similar

Color:	Gray
Dist. Mounting Holes [mm]:	12
Flammability Class:	UL94-HB
Material:	Polyamide 6.0 25% GF
Material Group:	Plastic
Model:	Screw Fastening
Width [mm]:	8
Weight:	7.26g
Conformities:	



You can find all information on the web on our article detail page



Would you like individual advice?

We look forward to your email to products@ettinger.de.

Subject to change and errors.