

Article datasheet

Spring-Type Straight Pin ISO13337 Ø8x32 Spring Steel

Article-No.: 084.00.0832

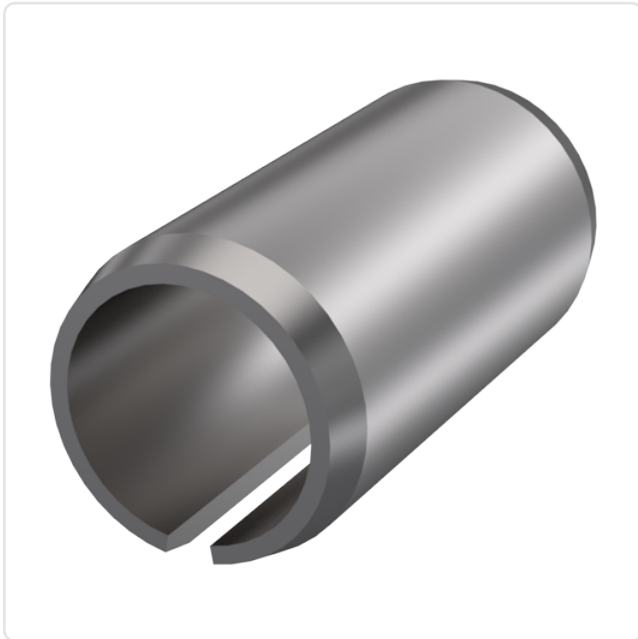


Image may be similar

DIN/ISO: ISO13337
Diameter [mm]: 8
Length [mm]: 32
Material: Spring Steel
Material Group: Steel
Conformities:



You can find all
information on the web on
our article detail page

Would you like individual advice?

We look forward to your email to products@ettinger.de.

Subject to change and errors.

