

Article datasheet

## PCB Support 6.4 | $\varnothing$ 4.8 Polyamide 6.6 natural

Article-No.: 006.34.066

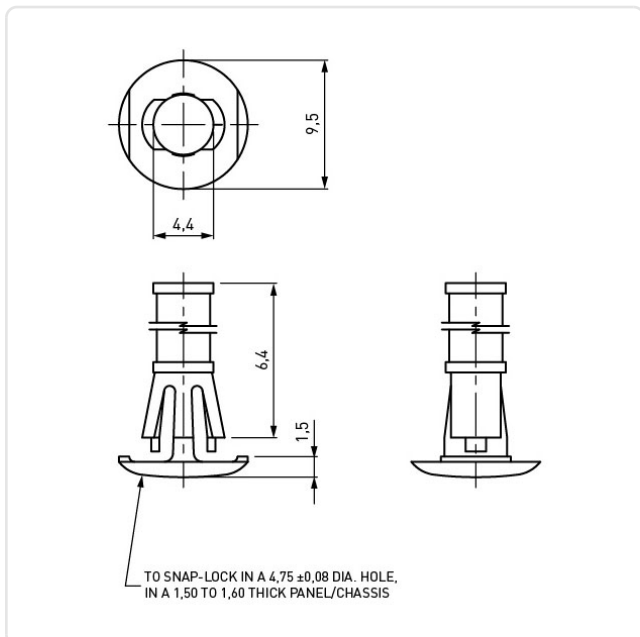


Image may be similar

Color:	Natural
Flammability Class:	UL94-V2
Length [mm]:	6.4
Material:	Polyamide 6.0 25% GF
Material Group:	Plastic
Panel Hole $\varnothing$ [mm]:	4.8
Panel Thickness [mm]:	1,6
Weight:	0.2g
Conformities:	



You can find all information on the web on our article detail page



Would you like individual advice?

We look forward to your email to [products@ettinger.de](mailto:products@ettinger.de).

Subject to change and errors.