

Article datasheet

Drive Fastener $\varnothing 6.4/1.5-6.5$ mm panel POM-Polyoxymethylen,natural UL94-V0

Article-No.: 072.17.777

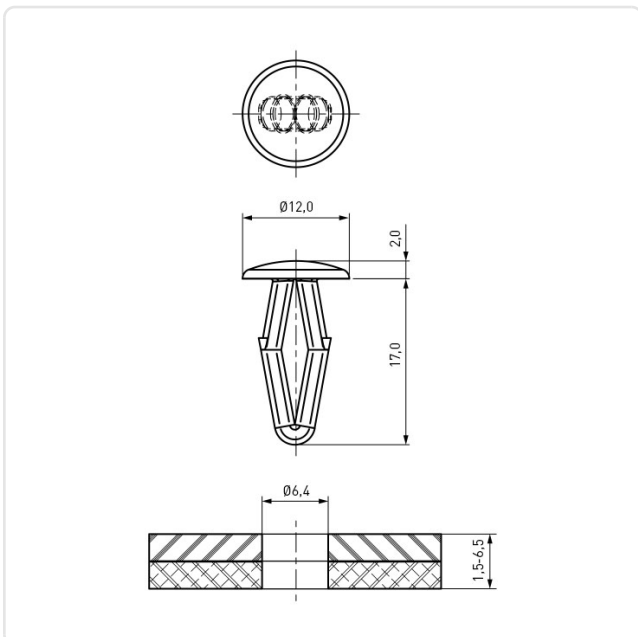


Image may be similar

Color:	Natural
Flammability Class:	UL94-V0
Head Diameter [mm]:	12
Material:	PA 6/6 V-0 / E70062 / RMS 19
Material Group:	Kunststoff
Mounting Hole [mm]:	6.4
Panel Thickness Range [mm]:	1.5 - 6.5
Weight:	0.44g
Conformities:	



You can find all information on the web on our article detail page



Would you like individual advice?

We look forward to your email to products@ettinger.de.

Subject to change and errors.