

Article datasheet

COM Knob \varnothing 16 mm

Article-No.: 028.16.660

Manufacturer: OKW Gehäusesysteme

Manufacturer article-no.: A31.16.069

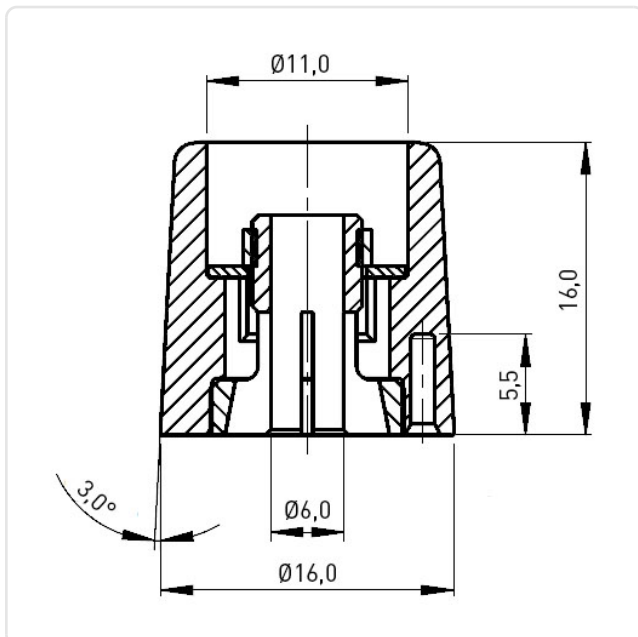


Image may be similar

Color: Black
Height [mm]: 16
Inner Diameter [mm]: 6
Material: Polyamide 6 UL94-HB
Material Group: Kunststoff
Model: COM Knob without Recess
Outer Diameter [mm]: 16
Weight: 4.84g
Conformities:



You can find all information on the web on our article detail page



Would you like individual advice?

We look forward to your email to products@ettinger.de.

Subject to change and errors.