

Article datasheet

Countersunk Screw ISO7047 M3x16 A2 Plain Stainless Steel Cross Recessed

Article-No.: 001.12.362

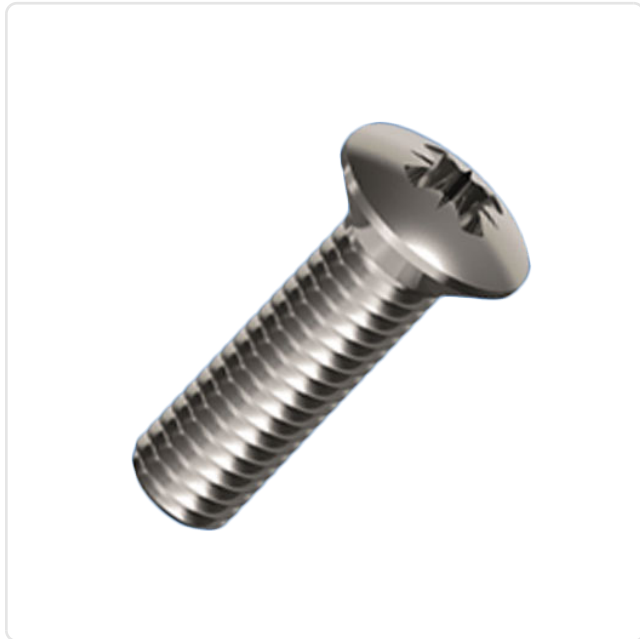
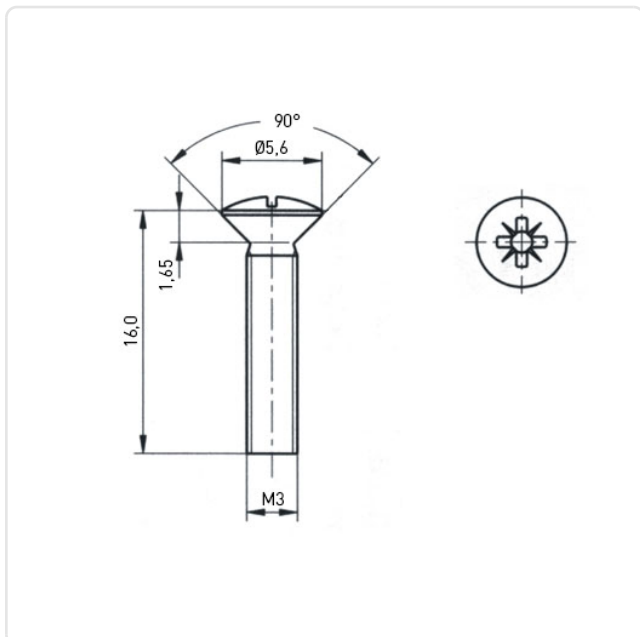


Image may be similar

Actuator Size:	Pozidriv PZ2
DIN/ISO:	DIN966 / ISO7047
Drive Type:	Cross Recess / Pozidriv-Z
Finish:	Plain
Head Diameter [mm]:	5.6
Head Height [mm]:	1.65
Head Shape:	Countersunk Head
Length [mm]:	16
Material:	Stainless Steel AISI 304 / A2
Material Group:	Stahl rostfrei
Thread Size:	M3
Weight:	0.84g
Conformities:	



You can find all information on the web on our article detail page

Would you like individual advice?

We look forward to your email to products@ettinger.de.

Subject to change and errors.