

Article datasheet

Shoulder Washer for M5 Screw Polyamid 6.6 natural UL94-V2

Article-No.: 003.21.566

Manufacturer: Keystone Electronics

Manufacturer article-no.: 3108

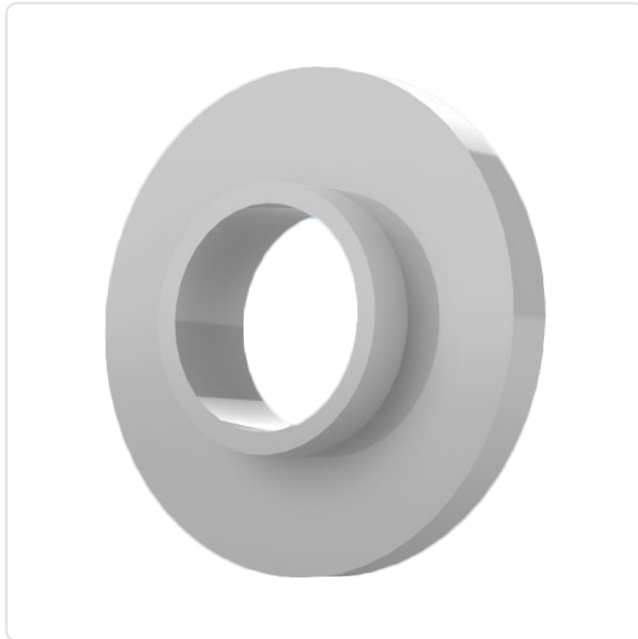
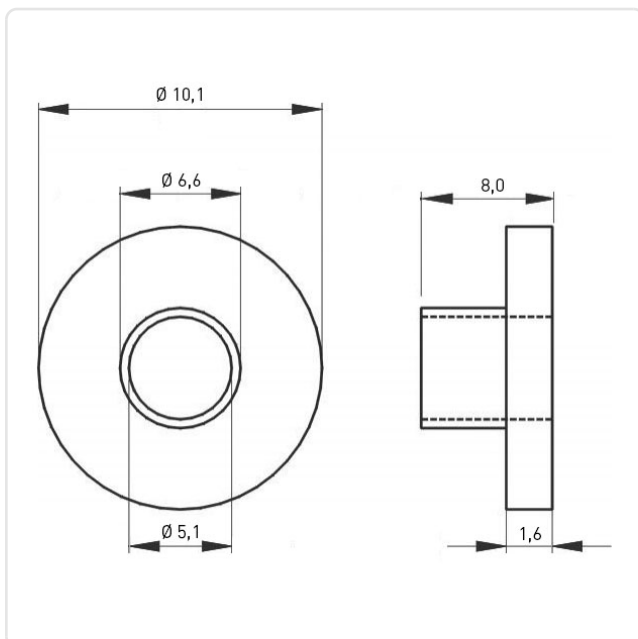


Image may be similar

Color: Natural
Flammability Class: UL94-V2
Height [mm]: 6.4
Inner Diameter [mm]: 5.1
Lug Diameter [mm]: 6.62
Material: PA 6.6
Material Group: Plastic
Model: With Low Lug
Outer Diameter [mm]: 10.1
Weight: 0.21g
Conformities:



You can find all
information on the web on
our article detail page



Would you like individual advice?

We look forward to your email to products@ettinger.de.

Subject to change and errors.