

Article datasheet

## Flat Head Screw ISO7045 M5x14 Galvanized Steel 4.8 C/R Pan Head

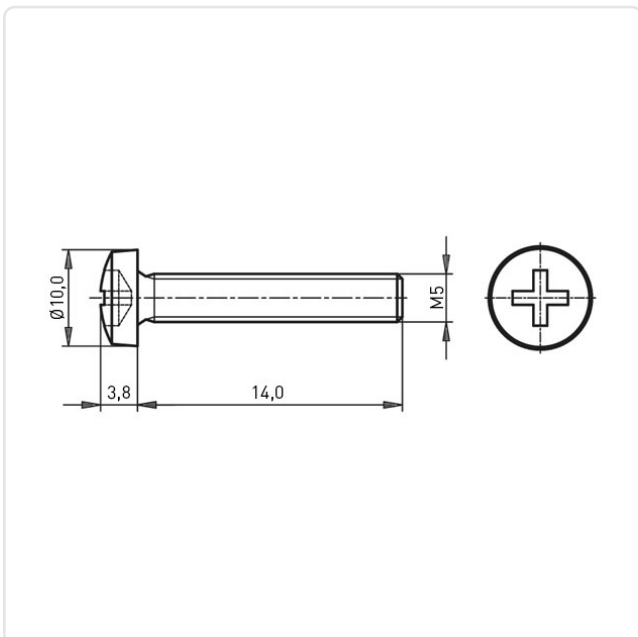
Article-No.: 082.52.511



Actuator Size:	Phillips PH2
DIN/ISO:	DIN7985 / ISO7045
Drive Type:	Cross Recess / Phillips-H
Finish:	Galvanized, Blue, 5 µm, A2K
Head Diameter [mm]:	10
Head Height [mm]:	3.8
Head Shape:	Pan Head
Length [mm]:	14
Material:	Steel 4.8
Material Group:	Steel
Thread Size:	M5
Weight:	3.4g
Conformities:	



Image may be similar



You can find all  
information on the web on  
our article detail page

Would you like individual advice?

We look forward to your email to [products@ettinger.de](mailto:products@ettinger.de).

Subject to change and errors.