

Article datasheet

Drive Fastener $\varnothing 5.5/6.0-9.0$ mm panel Polyoxymethylene(POM),natural

Article-No.: 072.17.791

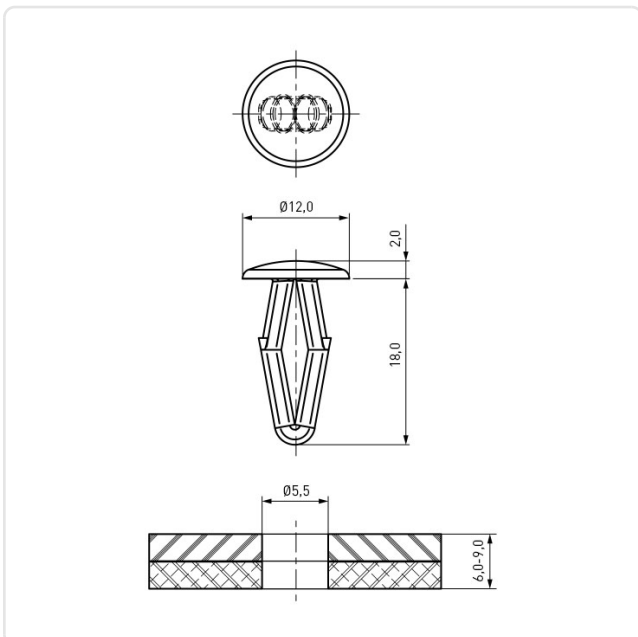


Image may be similar

Color:	Natural
Head Diameter [mm]:	12
Material:	POM
Material Group:	Plastic
Mounting Hole [mm]:	5.5
Panel Thickness Range [mm]:	6.0 - 9.0
Weight:	0.51g
Conformities:	



You can find all information on the web on our article detail page



Would you like individual advice?

We look forward to your email to products@ettinger.de.

Subject to change and errors.