

Article datasheet

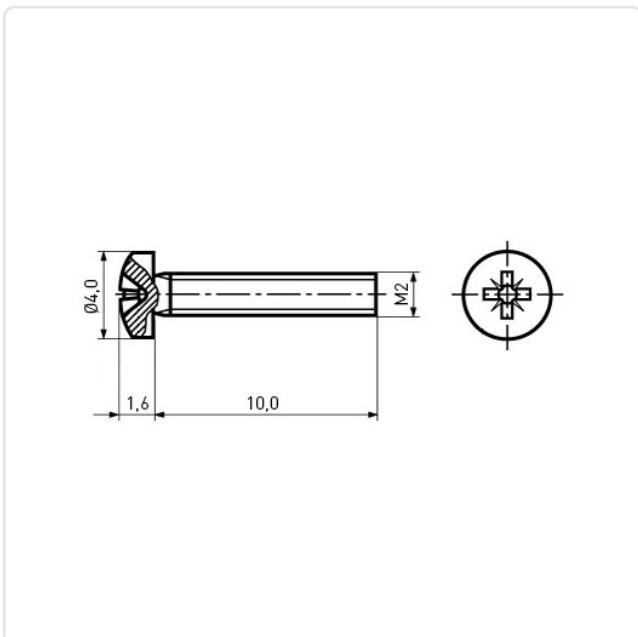
## Flat Head Screw ISO7045 M2x10 A4 Plain ST STL Cross Recess Pan Head

Article-No.: 001.18.149



Image may be similar

Actuator Size:	Pozidriv PZ1
DIN/ISO:	DIN7985 / ISO7045
Drive Type:	Cross Recess / Pozidriv-Z
Finish:	Plain
Head Diameter [mm]:	4
Head Height [mm]:	1.6
Head Shape:	Pan Head
Length [mm]:	10
Material:	Stainless Steel AISI 316 / A4
Material Group:	Stainless Steel
Thread Size:	M2
Weight:	0.3g
Conformities:	



You can find all  
information on the web on  
our article detail page

Would you like individual advice?

We look forward to your email to [products@ettinger.de](mailto:products@ettinger.de).

Subject to change and errors.