

Article datasheet

Mounting Bracket UNC 6-32 Steel,tinned

Article-No.: 014.84.655

Manufacturer: Keystone Electronics

Manufacturer article-no.: 617

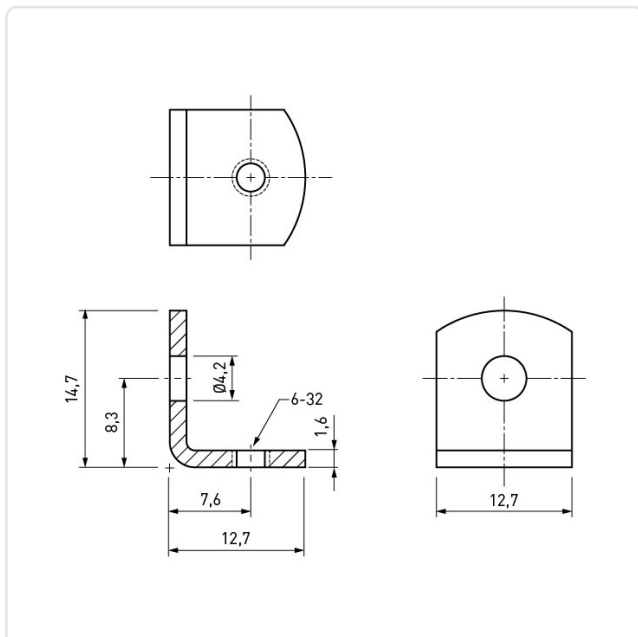


Image may be similar

Finish: Tin-Plated
Material: Steel
Material Group: Steel
Model: Right-Angled with Thread
Thread 1 / Hole 1: $\varnothing 4,2$
Thread 2 / Hole 2: UNC6-32
Width [mm]: 12.7
Weight: 3.3g
Conformities:



You can find all information on the web on our article detail page



Would you like individual advice?

We look forward to your email to products@ettinger.de.

Subject to change and errors.