

Article datasheet

Tapping Screw DIN7981 Ø2.2x6.5 Plain Steel A2 Cross Recess Pan Head

Article-No.: 001.27.029

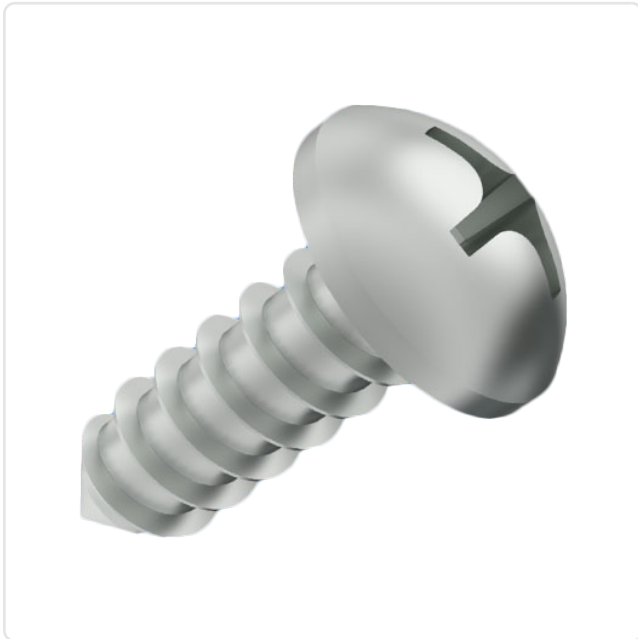
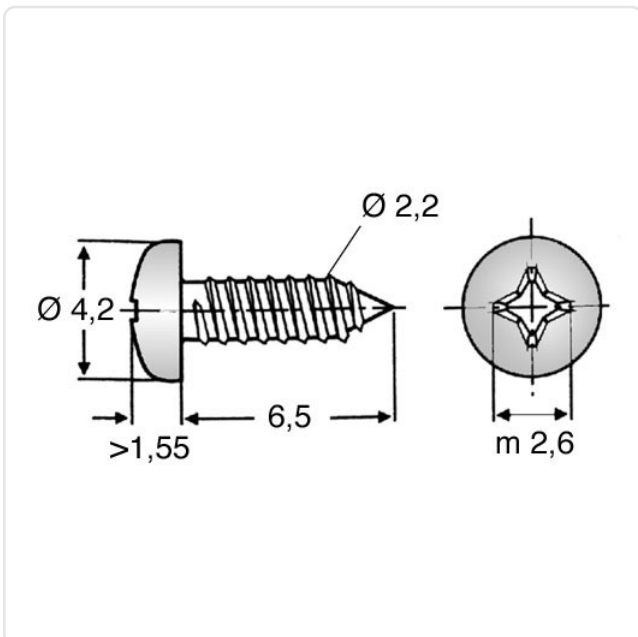


Image may be similar

Actuator Size:	Pozidriv PZ1
DIN/ISO:	DIN7981 / ISO7049
Drive Type:	Cross Recess / Pozidriv-Z
Finish:	Plain
Head Diameter [mm]:	4.2
Head Height [mm]:	1.8
Head Shape:	Pan Head
Length [mm]:	6.5
Material:	Stainless Steel A2 / AISI 304
Material Group:	Stainless Steel
Thread Diameter [mm]:	Ø 2.2
Weight:	0.23g
Conformities:	



You can find all
information on the web on
our article detail page

Would you like individual advice?

We look forward to your email to products@ettinger.de.

Subject to change and errors.