

Article datasheet

## Straight-Thru Strain Relief Bushing 5,6-6,2/-1,6, white

Article-No.: 014.04.159

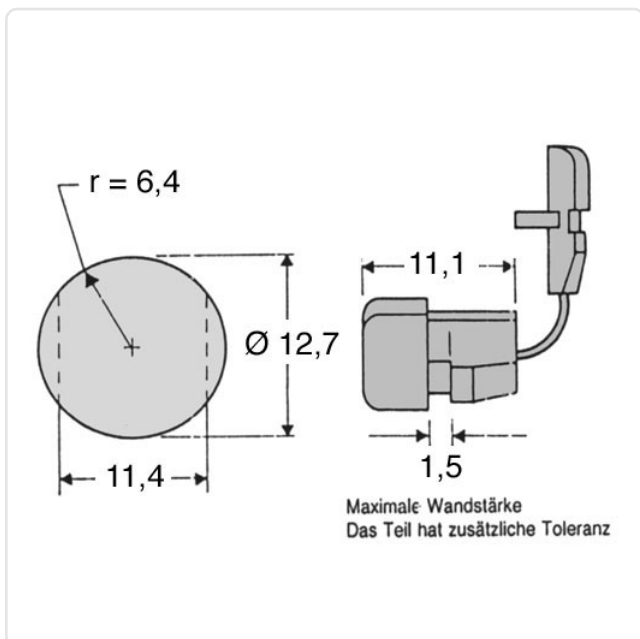


Image may be similar

Color:	White
Material:	Polyamide 6.6 - UL94 V-2
Material Group:	Kunststoff
Max. Panel Thickness [mm]:	1.6
Mounting Hole [mm]:	12.7
Panel Thickness Range [mm]:	5,6-6,2 mm
Weight:	1.13g
Conformities:	



You can find all  
information on the web on  
our article detail page



Would you like individual advice?

We look forward to your email to [products@ettinger.de](mailto:products@ettinger.de).

Subject to change and errors.