

Article datasheet

## Converting Mountin Pad TO-5 to .1" Polyamid GF UL94-V0 145°C heat res.

Article-No.: 070.01.597

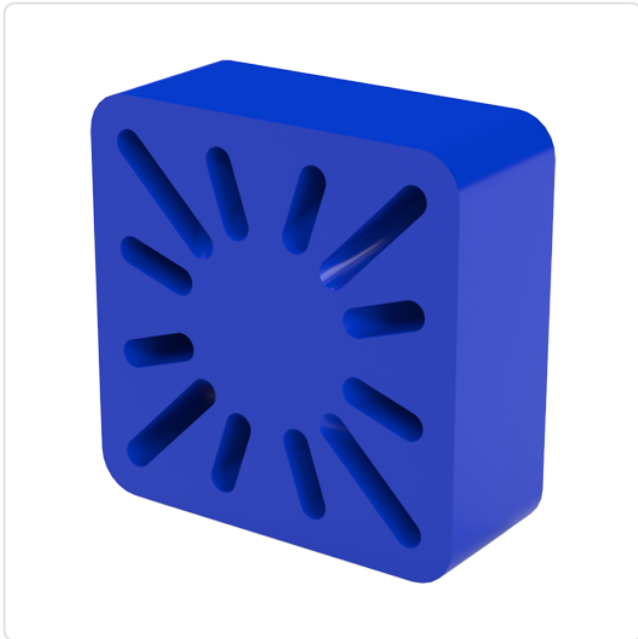
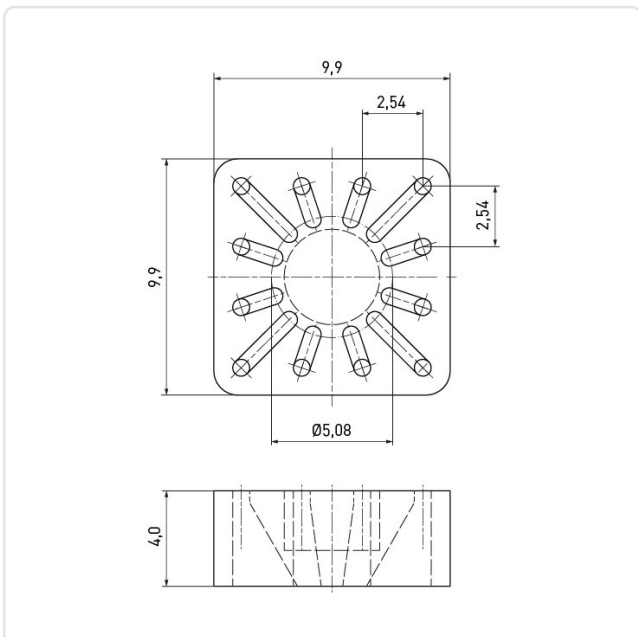


Image may be similar



Color: Blue  
Flammability Class: UL94-V0  
Length [mm]: 9.9  
Material: Polyamide 6.0 25% GF  
Material Group: Plastic  
Model: TO-5  
Outer Diameter [mm]: 4.5  
Weight: 0.43g  
Conformities:



You can find all information on the web on our article detail page

Would you like individual advice?

We look forward to your email to [products@ettinger.de](mailto:products@ettinger.de).

Subject to change and errors.