

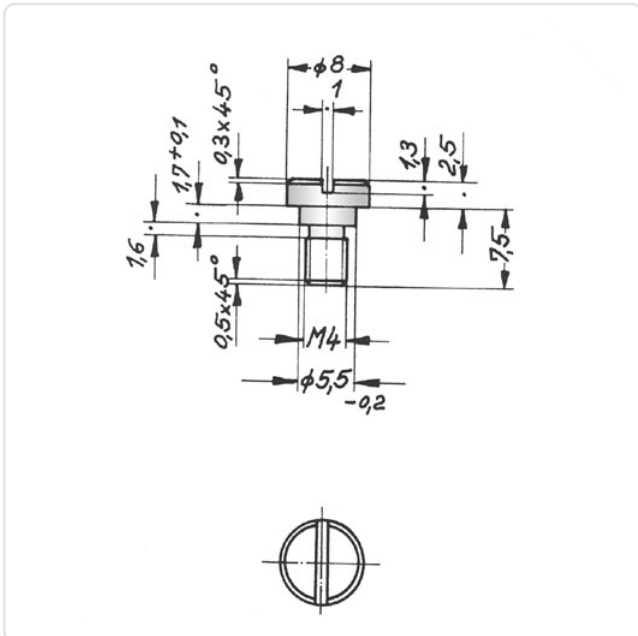
Article datasheet

n/a

Article-No.: 001.84.013



Image may be similar



Drive Type:	Slotted
Finish:	Galvanized, Blue, 5 µm, A2K
Head Diameter [mm]:	8
Head Height [mm]:	2.5
Head Shape:	Cheese Head
Length [mm]:	7.5
Material:	Steel
Reduced Shank Length [mm]:	3.3
Thread Size:	M4
Weight:	1.57g
Conformities:	



You can find all information on the web on our article detail page

Would you like individual advice?

We look forward to your email to products@ettinger.de.

Subject to change and errors.