

Article datasheet

## Long Nut M10 DIN6334 A2 Stainless Steel AF 17x30 / M10

Article-No.: 002.20.102

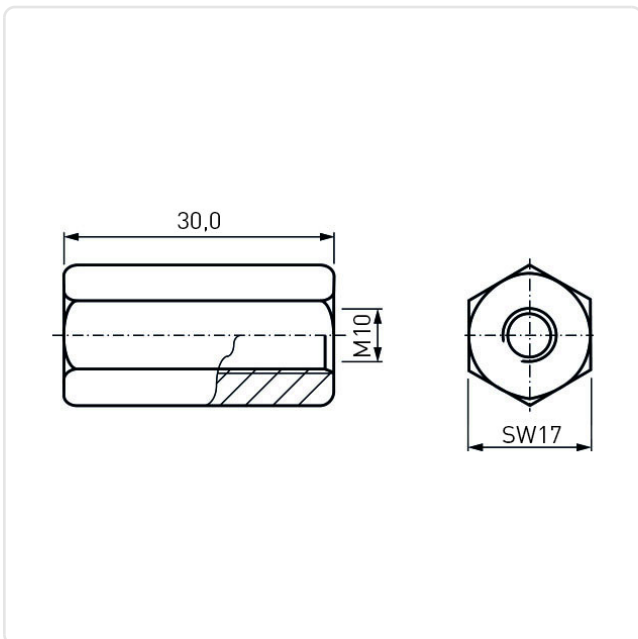


Image may be similar

DIN/ISO: DIN6334  
Finish: Plain  
Length [mm]: 30  
Material: Stainless Steel A2 / AISI 304  
Material Group: Stainless Steel  
Thread Size: M10  
Weight: 42.13g  
Conformities:



You can find all  
information on the web on  
our article detail page



Would you like individual advice?

We look forward to your email to [products@ettinger.de](mailto:products@ettinger.de).

Subject to change and errors.