

Article datasheet

Standoff Nickel-Plated Brass M/M AF5.5x3 T1=M3x5 T2=M3x5 w/ UC

Article-No.: 005.11.303

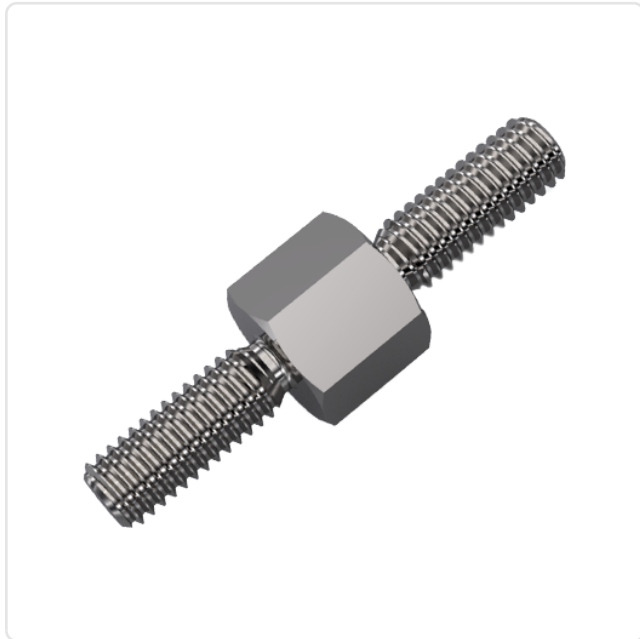
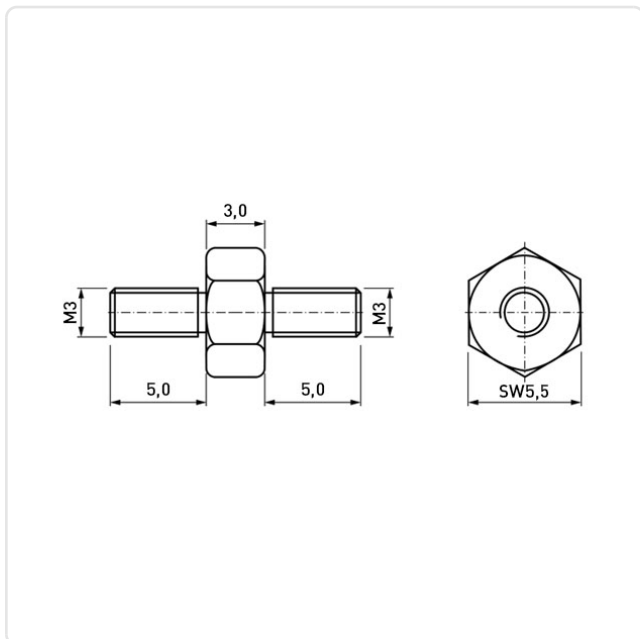


Image may be similar

AF / OD [mm]:	5.5
Finish:	Nickel-Plated, 3 µm, E1E
Length [mm]:	3
Material:	Brass CW614N / CuZn39Pb3
Material Group:	Brass
Profile:	Hexagonal
Thread 1 Length [mm]:	5
Thread 1 Size:	M3
Thread 2 Length [mm]:	5
Thread 2 Size:	M3
Undercut:	Yes
Weight:	1.07g
Conformities:	



You can find all information on the web on our article detail page

Would you like individual advice?

We look forward to your email to products@ettinger.de.

Subject to change and errors.