

Article datasheet

Self-Tapping Screw for Plastic 3x8 PT Galvanized Q&T Steel Pozi Countersunk

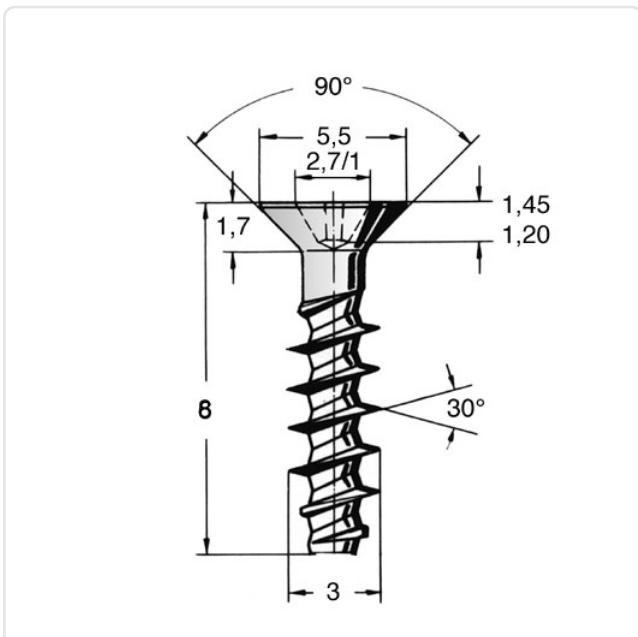
Article-No.: 001.92.331



| | |
|-----------------------|-----------------------------|
| Actuator Size: | Pozidriv PZ1 |
| Drive Type: | Cross Recess / Pozidriv-Z |
| Finish: | Galvanized, Blue, 5 µm, A2K |
| Head Diameter [mm]: | 5.5 |
| Head Height [mm]: | 2.05 |
| Head Shape: | Countersunk Head |
| Length [mm]: | 8 |
| Material: | Q&T Steel |
| Material Group: | Steel |
| Thread Diameter [mm]: | Ø 3.0 |
| Thread Type: | PT Thread |
| Weight: | 0.35g |
| Conformities: | |



Image may be similar



You can find all
information on the web on
our article detail page

Would you like individual advice?

We look forward to your email to products@ettinger.de.

Subject to change and errors.