

Article datasheet

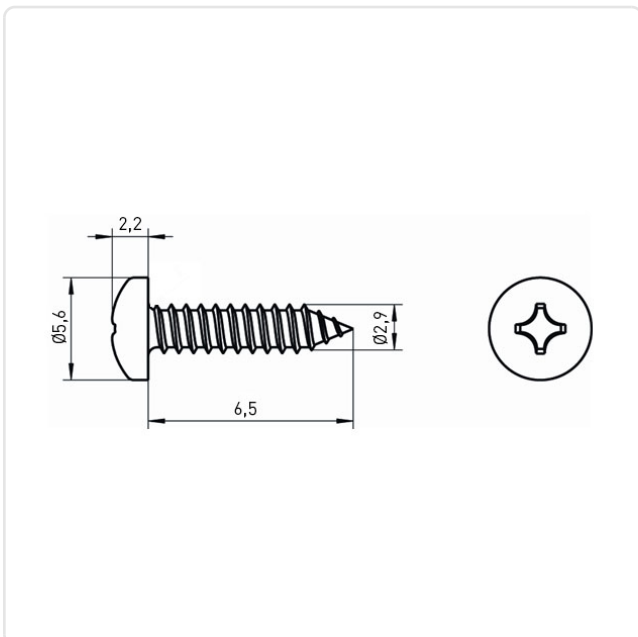
Tapping Screw DIN7981 Ø2.9x6.5 Plain Steel A2 Cross Recess Pan Head

Article-No.: 001.27.129



Image may be similar

| | |
|-----------------------|-------------------------------|
| Actuator Size: | Pozidriv PZ1 |
| DIN/ISO: | DIN7981 / ISO7049 |
| Drive Type: | Cross Recess / Pozidriv-Z |
| Finish: | Plain |
| Head Diameter [mm]: | 5.6 |
| Head Height [mm]: | 2.2 |
| Head Shape: | Pan Head |
| Length [mm]: | 6.5 |
| Material: | Stainless Steel AISI 304 / A2 |
| Material Group: | Stainless Steel |
| Thread Diameter [mm]: | Ø 2.9 |
| Weight: | 0.44g |
| Conformities: | |



You can find all
information on the web on
our article detail page

Would you like individual advice?

We look forward to your email to products@ettinger.de.

Subject to change and errors.