

Article datasheet

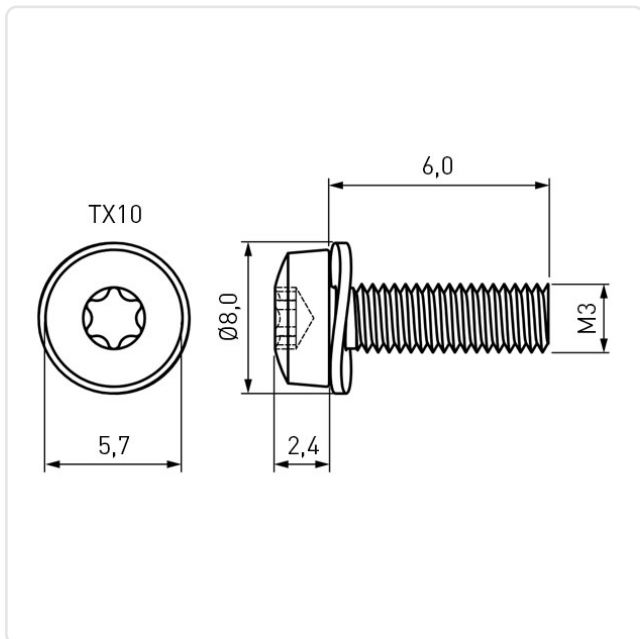
## SEMS Screw ISO14583 TX Z3 M3x6 Galvanized Steel 8.8 Spring Washer

Article-No.: 081.55.321



Image may be similar

|                     |  |
|---------------------|--|
| Actuator Size:      | Torx T10   |
| Combination:        | Spring Washer DIN6904  |
| DIN/ISO:            | ISO14583   |
| Drive Type:         | TORX   |
| Finish:             | Galvanized, Blue, 5 µm, A2K  |
| Head Diameter [mm]: | 5.6  |
| Head Height [mm]:   | 2.4  |
| Head Shape:         | Pan Head   |
| Length [mm]:        | 6  |
| Material:           | Steel 8.8, lead-free   |
| Thread Size:        | M3   |
| Weight:             | 0.8g   |
| Conformities:       | <div style="display: flex; gap: 10px;"> <div style="border: 1px solid black; padding: 2px; text-align: center;">Reach<br/>COMPLIANT<br/>✓</div> <div style="border: 1px solid black; padding: 2px; text-align: center;">RoHS<br/>COMPLIANT<br/>✓</div> <div style="border: 1px solid black; padding: 2px; text-align: center;">SVHC<br/>COMPLIANT<br/>✓</div> </div> |



You can find all  
information on the web on  
our article detail page

Would you like individual advice?

We look forward to your email to [products@ettinger.de](mailto:products@ettinger.de).

Subject to change and errors.