

Article datasheet

Cable Tie 2.6x150mm neon pink PA 6.6 natural UL94-V2 bundle Ø40mm

Article-No.: 072.26.159

Manufacturer: SES-Sterling

Manufacturer article-no.: 0186 0028 115

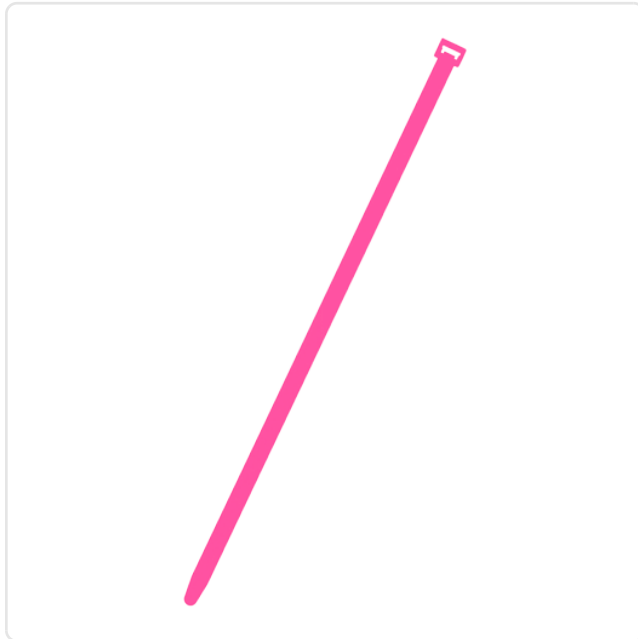


Image may be similar

Bundle Diameter [mm]: 30,0-40,0

Color: Red

Flammability Class: UL94-V2

Length [mm]: 150

Material: PA 6.6

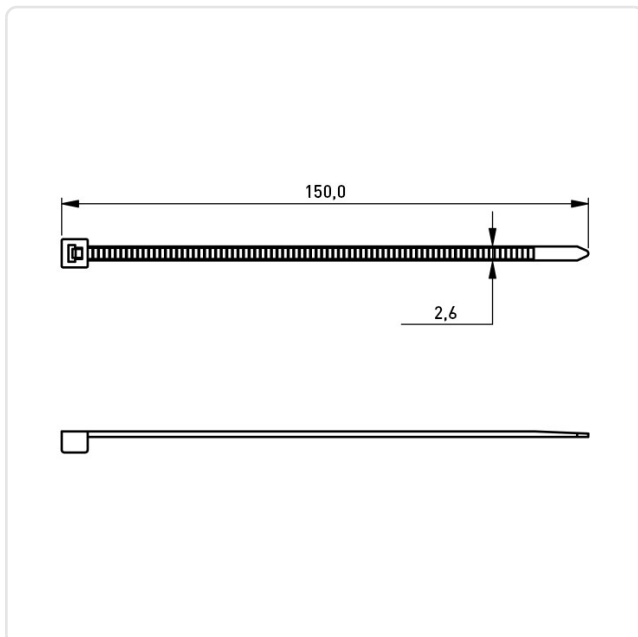
Material Group: Plastic

Width [mm]: 2.6

Conformities:



You can find all information on the web on our article detail page



Would you like individual advice?

We look forward to your email to products@ettinger.de.

Subject to change and errors.