

Article datasheet

Toothed Lock Washer $\varnothing 12.1/17.2 \times 0.5$ Alkaline Galvanized Ste

Article-No.: 003.44.127

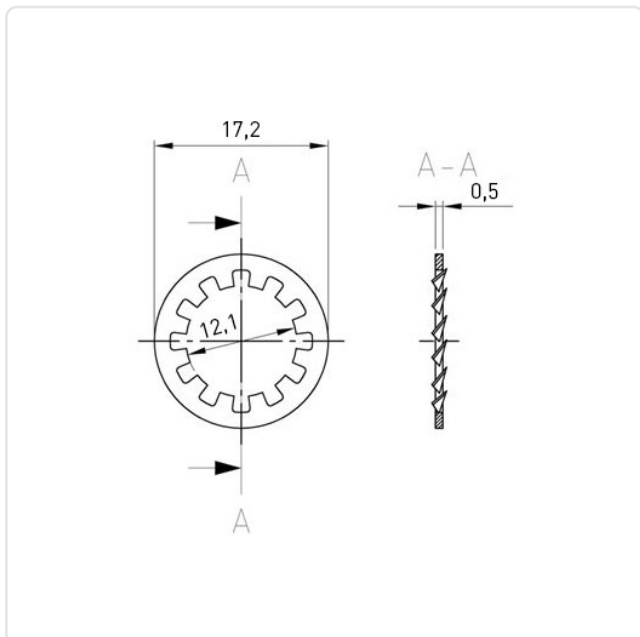


Image may be similar

Finish: Alkaline Galvanized 8 μm
For Thread Size: M12
Height [mm]: 0.5
Inner Diameter [mm]: 12.1
Material: Steel
Material Group: Steel
Outer Diameter [mm]: 17.2
Weight: 0.44g
Conformities:



You can find all information on the web on our article detail page



Would you like individual advice?

We look forward to your email to products@ettinger.de.

Subject to change and errors.