

Article datasheet

## Push-In Foot Ø10.0x8.0 NBR black

Article-No.: 017.53.100

Manufacturer: SES-Sterling

Manufacturer article-no.: 0254 0039 010

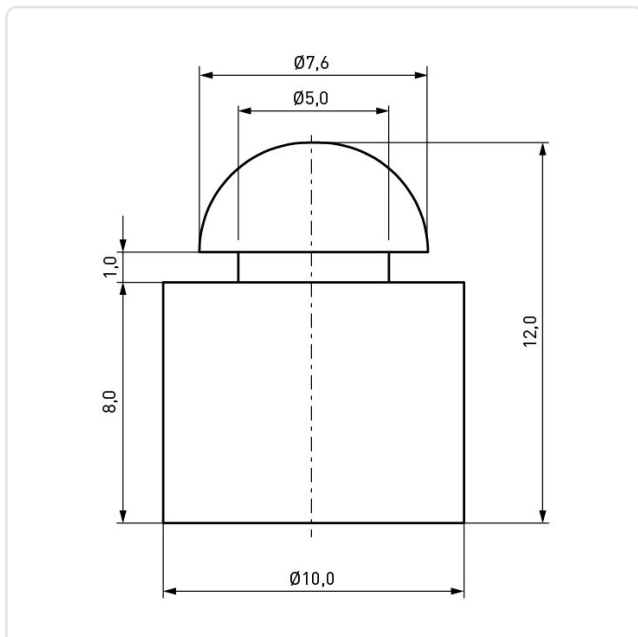


Image may be similar

Color: Black  
Diameter [mm]: 10  
Height [mm]: 8  
Material: NBR - Nitrile Butadiene Rubber  
Material Group: Plastic  
Panel Hole Ø [mm]: 5  
Panel Thickness [mm]: 1  
Weight: 1.33g  
Conformities:



You can find all information on the web on our article detail page



Would you like individual advice?

We look forward to your email to [products@ettinger.de](mailto:products@ettinger.de).

Subject to change and errors.