

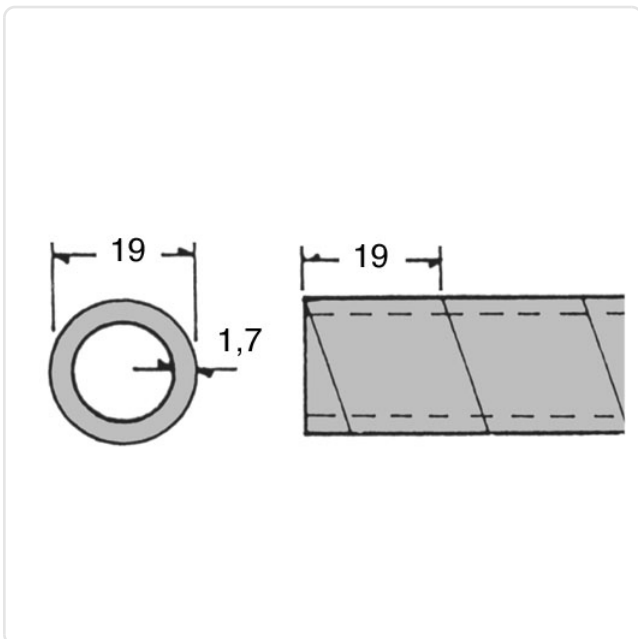
Article datasheet

Cable Wrap

Article-No.: 014.75.271



Image may be similar



Bundle Diameter [mm]: 19,0-38,1

Color: Natural

Diameter [mm]: 19

Flammability Class: UL94-V0

Material: PE - Polyethylene

Model: Spiral Cable Wrap

Reel length [m]: 30

Weight: 3040g

Conformities:



You can find all
information on the web on
our article detail page

Would you like individual advice?

We look forward to your email to products@ettinger.de.

Subject to change and errors.