

Article datasheet

## Pan Head Screw ISO7045 M6x8 A4 STEEL C/R Self-Sealing SEELSKREW®

Article-No.: 001.57.639

Manufacturer: APM Hexseal

Manufacturer article-no.: RM6X8 2701

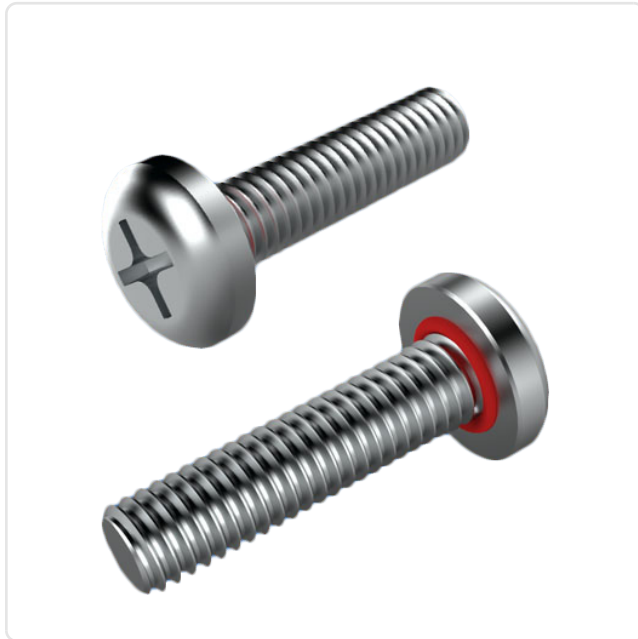
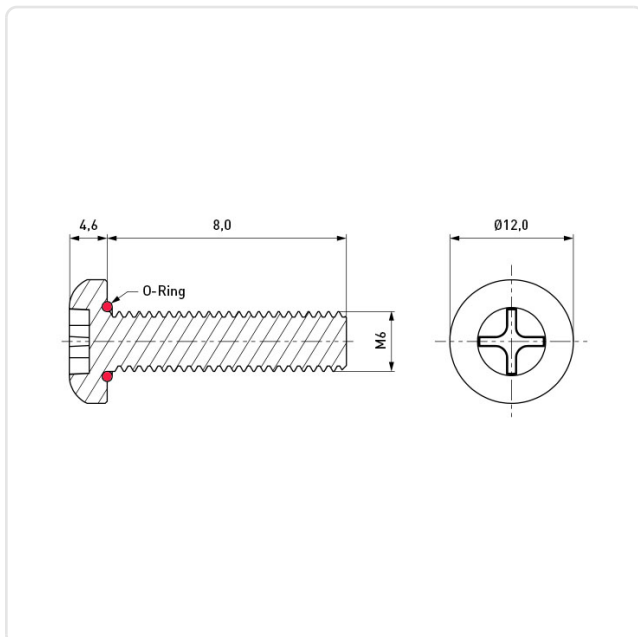


Image may be similar

Actuator Size:	Phillips PH3
DIN/ISO:	DIN7985 / ISO7045
Drive Type:	Cross Recess / Phillips-H
Finish:	Passivated, Clear
Head Diameter [mm]:	12
Head Height [mm]:	4.6
Head Shape:	Flat Head
Length [mm]:	8
Material:	Stainless Steel AISI 316 / A4
Material Group:	Stainless Steel
O-Ring Material:	Silicone
Temperature Range [°C]:	-106°C to +260°C
Thread Size:	M6
Conformities:	



You can find all  
information on the web on  
our article detail page

Would you like individual advice?

We look forward to your email to [products@ettinger.de](mailto:products@ettinger.de).

Subject to change and errors.