

Article datasheet

Hole Grommet 5.0/7.0-3.0mm NBR (Nitrilrubber) black

Article-No.: 014.90.392

Manufacturer: SES-Sterling

Manufacturer article-no.: 0252 0190 010

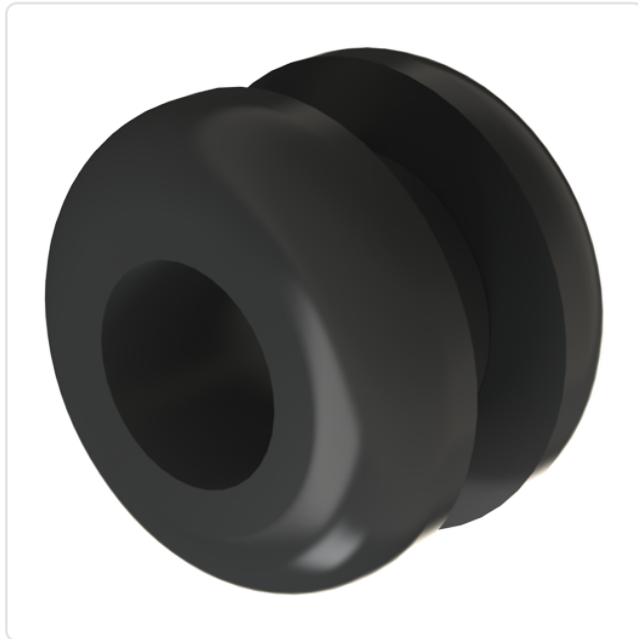
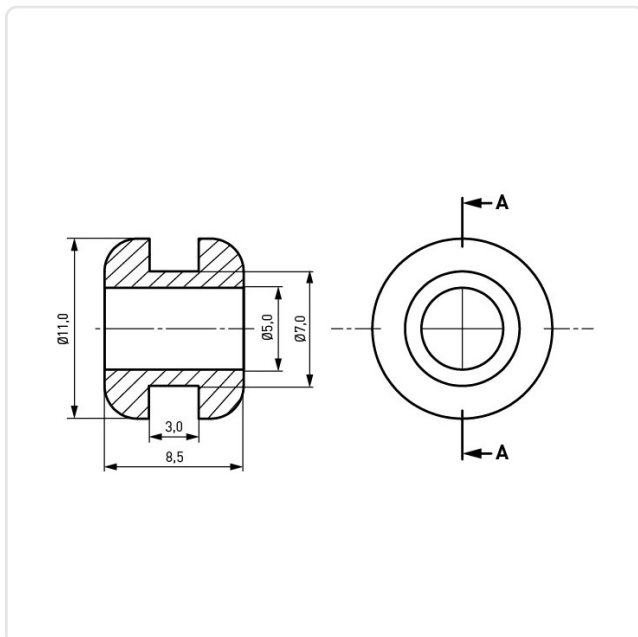


Image may be similar

Color: Black
Inner Diameter [mm]: 5
Material: PVC
Material Group: Plastic
Max. Panel Thickness [mm]: 3
Mounting Hole [mm]: 7
Weight: 0.47g
Conformities:



You can find all information on the web on our article detail page



Would you like individual advice?

We look forward to your email to products@ettinger.de.

Subject to change and errors.