

Article datasheet

PCB Support 15.9 | \varnothing 4.8 Polyamide 6.6 natural

Article-No.: 006.06.546

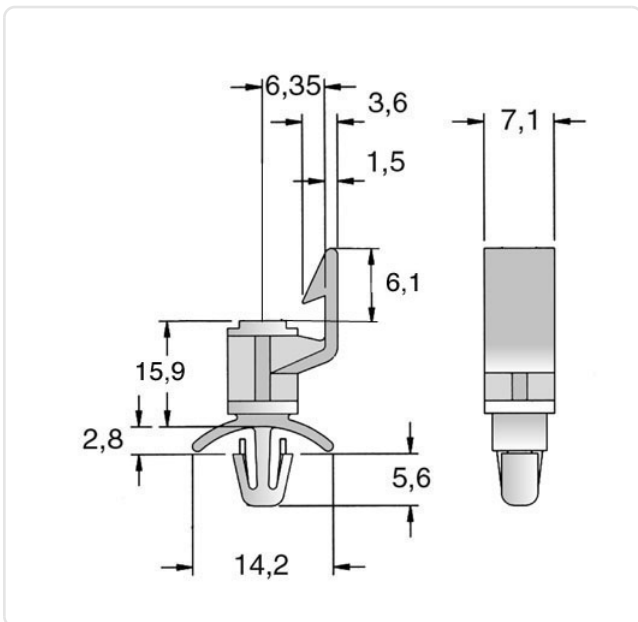


Image may be similar

Color:	Natural
Flammability Class:	UL94-V2
Length [mm]:	15.9
Material:	PA 6.6 UL94 V-2 E 70062 / RMS01
Panel Hole \varnothing [mm]:	4.8
Panel Thickness [mm]:	0,8-2,0
Weight:	0.94g
Conformities:	



You can find all
information on the web on
our article detail page



Would you like individual advice?

We look forward to your email to products@ettinger.de.

Subject to change and errors.