

Article datasheet

Solder Terminal Pin $\varnothing 1.0 \times 11.0$ mm Brass silver-plated round press-in shaft

Article-No.: 013.14.119

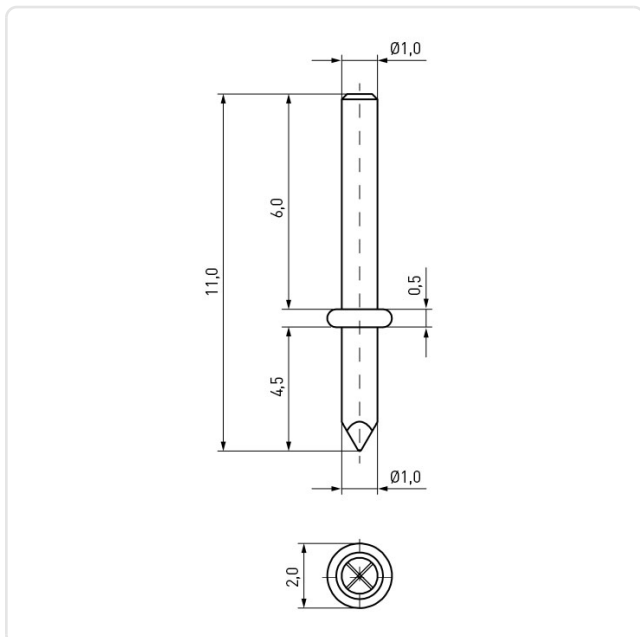


Image may be similar

Diameter [mm]: 1
Finish: Silver-Plated
Length [mm]: 11
Model: round
PCB Hole \varnothing [mm]: 1
Weight: 0.08g
Conformities:



You can find all
information on the web on
our article detail page



Would you like individual advice?

We look forward to your email to products@ettinger.de.

Subject to change and errors.