

Article datasheet

Hand Held Miniature 1551 Series / IP 54 grey / 35 x 20 x 35 mm

Article-No.: 097.51.107

Manufacturer: Hammond

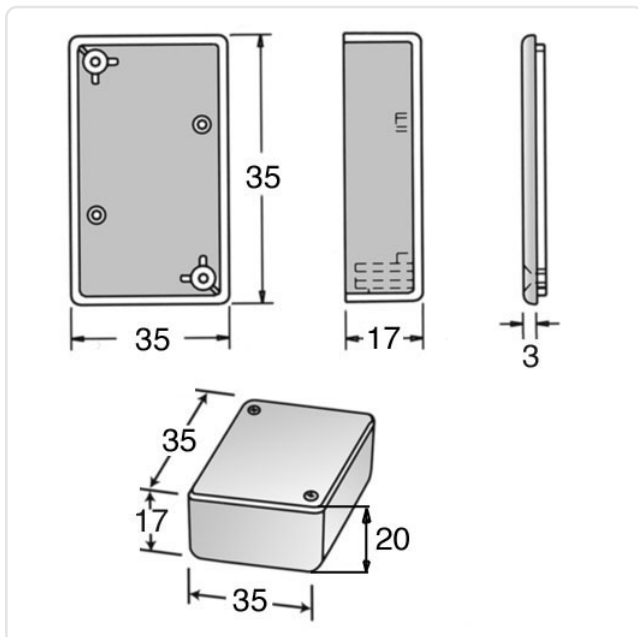
Manufacturer article-no.: 1551MGY



Color: Gray
Flammability Class: UL94-HB
Height [mm]: 20
Length [mm]: 35
Material: ABS
Material Group: Plastic
Protection Code: IP54
Width [mm]: 35
Weight: 13.71g
Conformities:



Image may be similar



You can find all information on the web on our article detail page

Would you like individual advice?

We look forward to your email to products@ettinger.de.

Subject to change and errors.