

Article datasheet

Cube Standoff Threaded 4 x M3 / 5x10x15 Brass nickel plated

Article-No.: 005.60.733

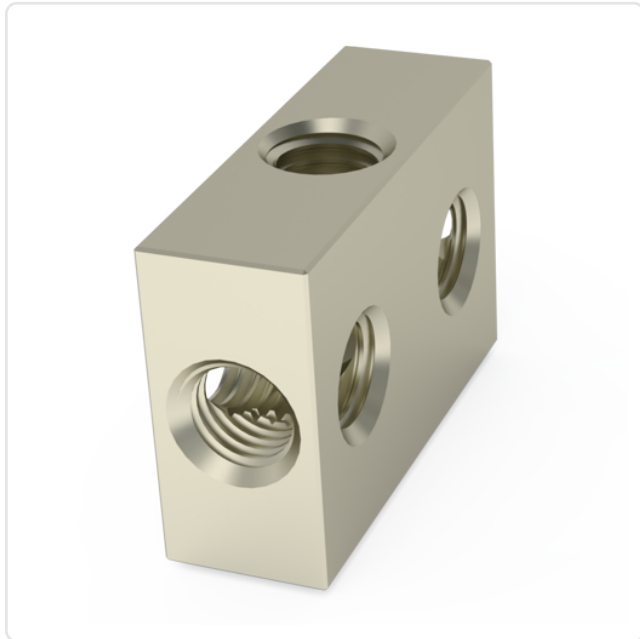
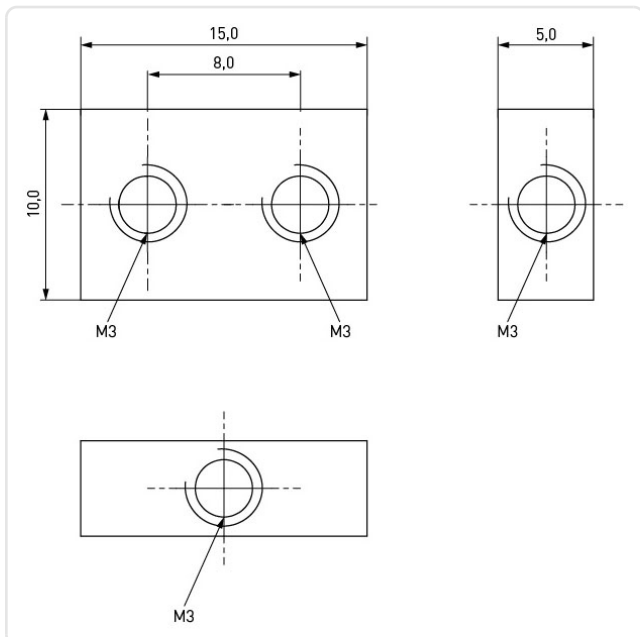


Image may be similar

Finish: Nickel-Plated, 3 µm, E1E
Material: Brass CW614N / CuZn39Pb3
Material Group: Brass
Thread 1/ Hole 1: M3
Thread 2 Length [mm]: 5
Thread 2/ Hole 2: M3
Weight: 4.75g
Conformities:



You can find all information on the web on our article detail page



Would you like individual advice?

We look forward to your email to products@ettinger.de.

Subject to change and errors.