

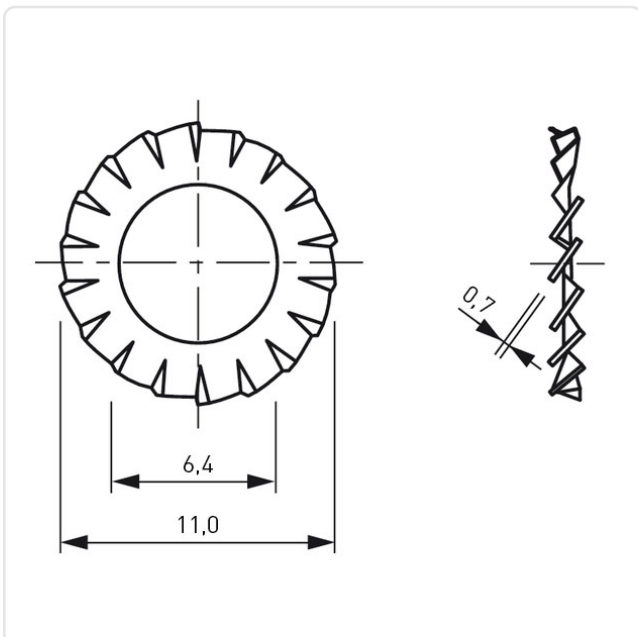
Article datasheet

Serrated Washer DIN6798 A Ø6.4/11.0 x 0.7 Galvanized Spring Steel

Article-No.: 003.54.061



Image may be similar



DIN/ISO: DIN6798A
Finish: Galvanized, Blue, 5 µm, A2K
For Thread Size: M6
Inner Diameter [mm]: 6.4
Material: Spring Steel
Material Group: Steel
Outer Diameter [mm]: 11
Weight: 0.3g
Conformities:



You can find all information on the web on our article detail page

Would you like individual advice?

We look forward to your email to products@ettinger.de.

Subject to change and errors.