

Article datasheet

Solder Terminal Pin 1.0x10.3mm Brass gold-plated

Article-No.: 013.17.654

Manufacturer: Keystone Electronics

Manufacturer article-no.: 1405-2

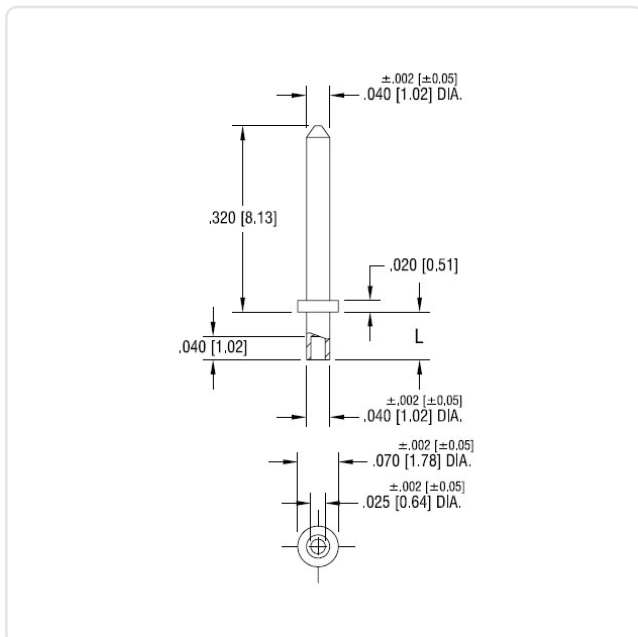


Image may be similar

Diameter [mm]: 1.02
Finish: Gold-Plated
Length [mm]: 10.3
Material: Brass
Model: round
PCB Hole Ø [mm]: 1.09
Weight: 0.07g
Conformities:



You can find all information on the web on our article detail page



Would you like individual advice?

We look forward to your email to products@ettinger.de.

Subject to change and errors.