

Article datasheet

## Swage Standoff $\varnothing 3.6 \times 5.0$ Tin-Plated Steel

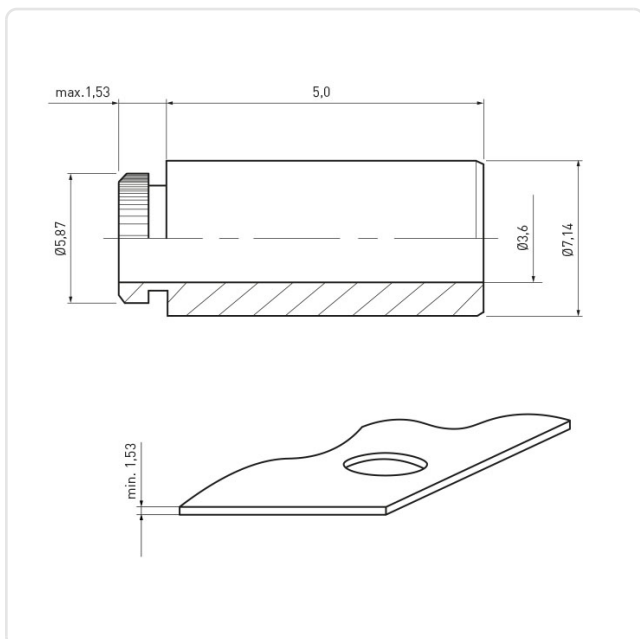
Article-No.: 004.61.725



Area of Application:	For Plastics
Finish:	Tin-Plated
Inner Diameter [mm]:	3.6
Length [mm]:	5
Material:	Steel
Material Group:	Steel
Minimum Edge Distance [mm]:	5,5
Outer Diameter [mm]:	7.1
Panel Hole $\varnothing$ [mm]:	5.4
Panel Thickness [mm]:	1,5
Weight:	1.3g
Conformities:	



Image may be similar



You can find all information on the web on our article detail page

Would you like individual advice?

We look forward to your email to [products@ettinger.de](mailto:products@ettinger.de).

Subject to change and errors.