

Article datasheet

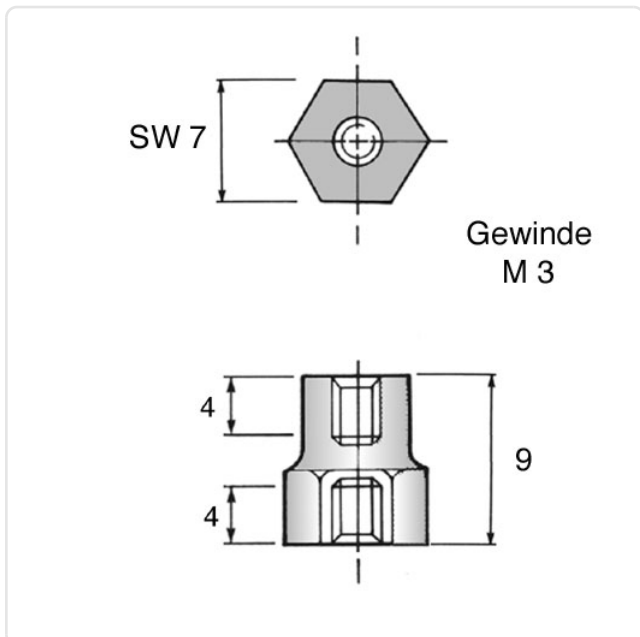
Insulated Standoff PA-Brass F/F AF7x9 | Thread M3x4 / M3x4

Article-No.: 005.41.836



Image may be similar

AF / OD [mm]: 7
Flammability Class: UL94-HB
Length [mm]: 9
Material: PA 6.6
Material Group: Plastic
Profile: Hexagonal
Thread 1 Length [mm]: 4
Thread 1 Size: M3
Thread 2 Length [mm]: 4
Thread 2 Size: M3
Thread Insert Material: Brass
Weight: 0.7g
Conformities:



You can find all
information on the web on
our article detail page

Would you like individual advice?

We look forward to your email to products@ettinger.de.

Subject to change and errors.