

Article datasheet

Batteryholder for 1x "C" Baby cell Polyamid UL94-HB 2.8x0.5mm terminals

Article-No.: 015.41.566

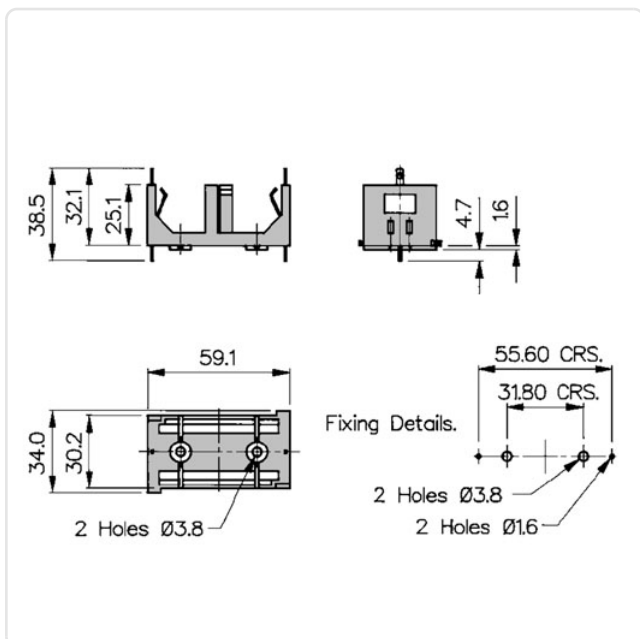


Image may be similar

Battery Type: C-Baby
 Flammability Class: UL94-HB
 Material: PA 6.0
 Model: PCB Mounting Connection
 No. Cells: 1
 Weight: 15.3g
 Conformities:



You can find all information on the web on our article detail page



Would you like individual advice?

We look forward to your email to products@ettinger.de.

Subject to change and errors.