

Article datasheet

Snap Lock Pin $\varnothing 2.4/4.5\text{mm}$ Polyamid 6.6,natural/UL94-V2 E70062

Article-No.: 072.11.045

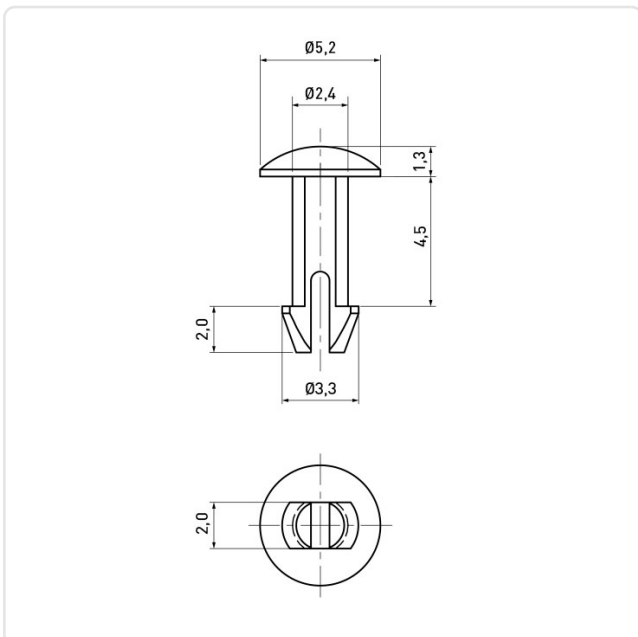


Image may be similar

Color: Natural
Flammability Class: UL94-V2
Head Diameter [mm]: 5.2
Material: PA 6.6
Material Group: Kunststoff
Mounting Hole [mm]: 2.4
Weight: 0.06g
Conformities:



You can find all
information on the web on
our article detail page



Would you like individual advice?

We look forward to your email to products@ettinger.de.

Subject to change and errors.